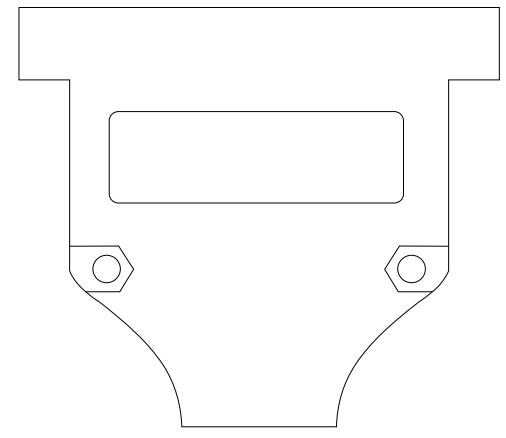
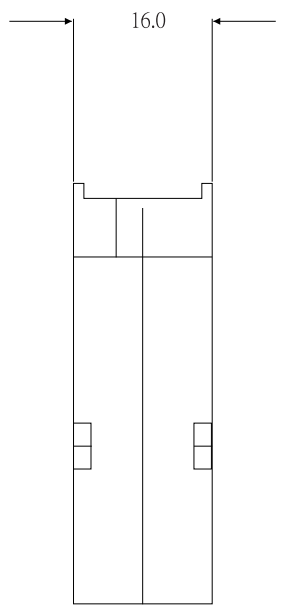
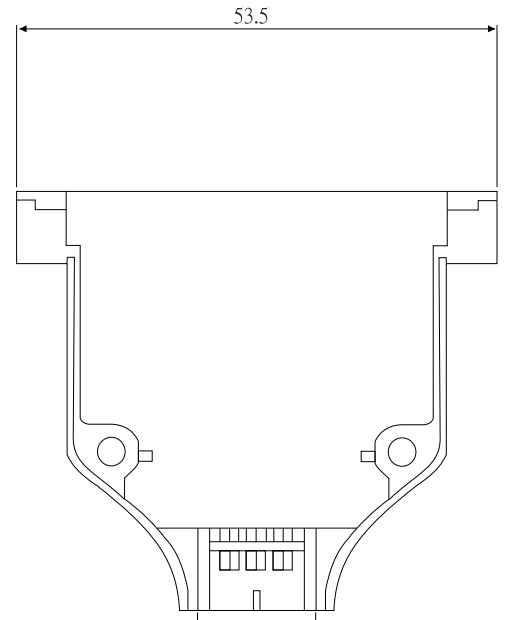
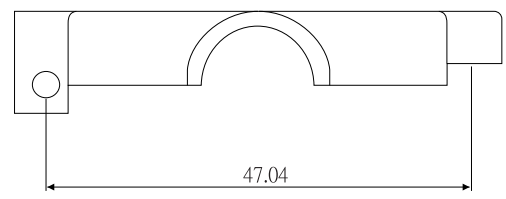


REV	DESCRIPTION	APPROVAL	DATE
A	新制定		06.06.05



A for cable dia.



A: 7.5, 9, 11, 13

 貝強實業有限公司 PANSTRONG COMPANY LTD.	DRAWN BY		TOMMY		
	CHECKED				
TITLE:	D-Sub Metal Hood			APPROVED	
PART NO.:	HS2504U01			DRAW NO	
DRAW. BOX NO.:				UNIT	mm
SCALE	REV	A	