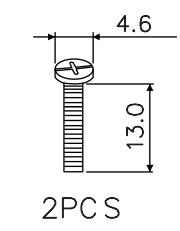
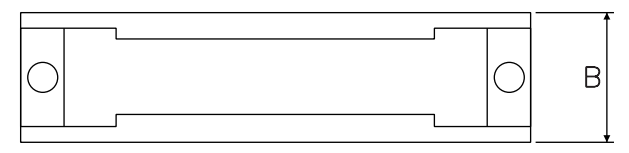
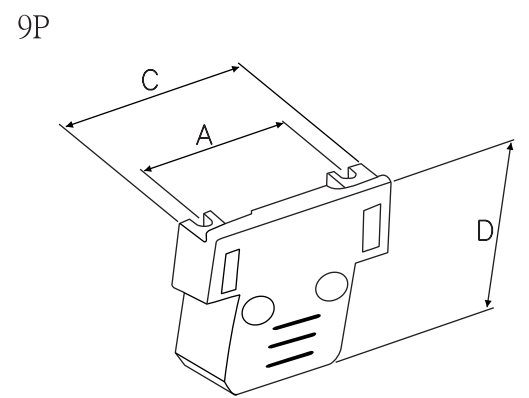
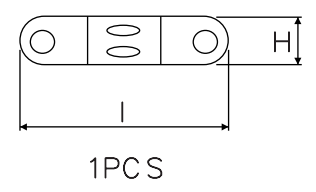
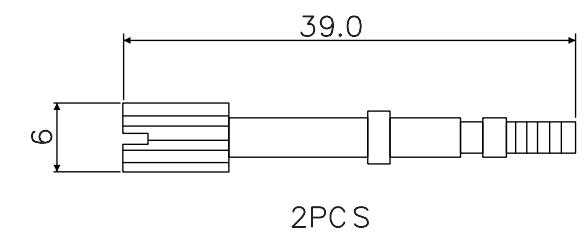
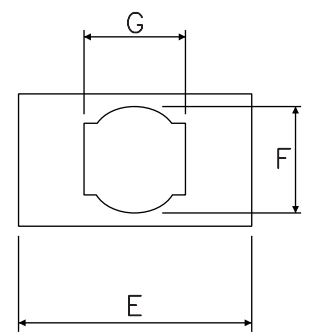
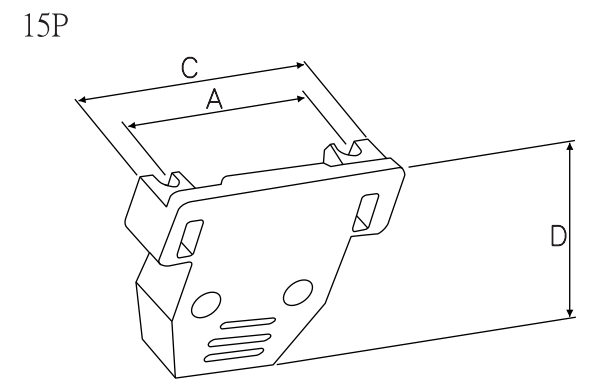


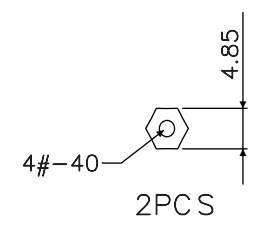
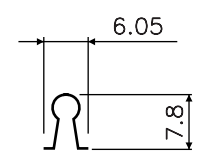
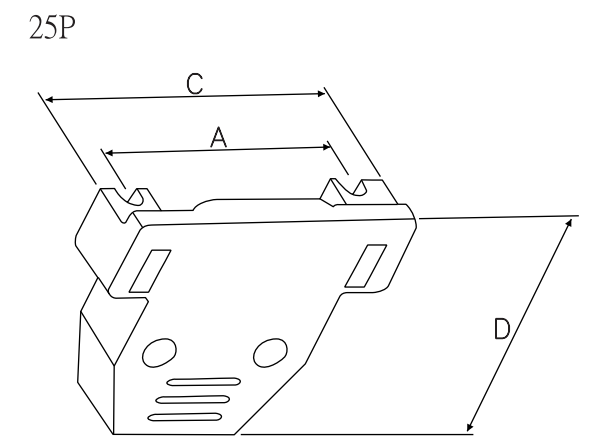
REV	DESCRIPTION	DATE
A	Initial Release	06'.05.24
B	Add Screws Specification	11'.07.21



J-Tapping Screw 2PCS



	A	B	C	D	F	G	H	I	J
09Pin	25	18	31.3	29.8	9.2	11.9	5.7	16.5	STG-2.6*6
15Pin	33.5	18	43.2	37.1	10.4	12.8	5.8	19.3	STG-2.6*6
25Pin	47	18	53.5	40.7	12	13.4	6.5	26.5	STG-2.6*6



TOLERANCE	
X.	±0.30
X.XX	±0.20
X.XXX	±0.10

PANSTRONG COMPANY LTD.				DRAWN BY		TOMMY			
				CHECKED					
TITLE:		D-SUB HOOD(Phone Cover) 09Pin~25Pin				APPROVED			
PART NO:		HSxx105x2-LH				DRAW NO			
DRAW . BOX NO:						UNIT		mm	
SCALE		/		REV		B			