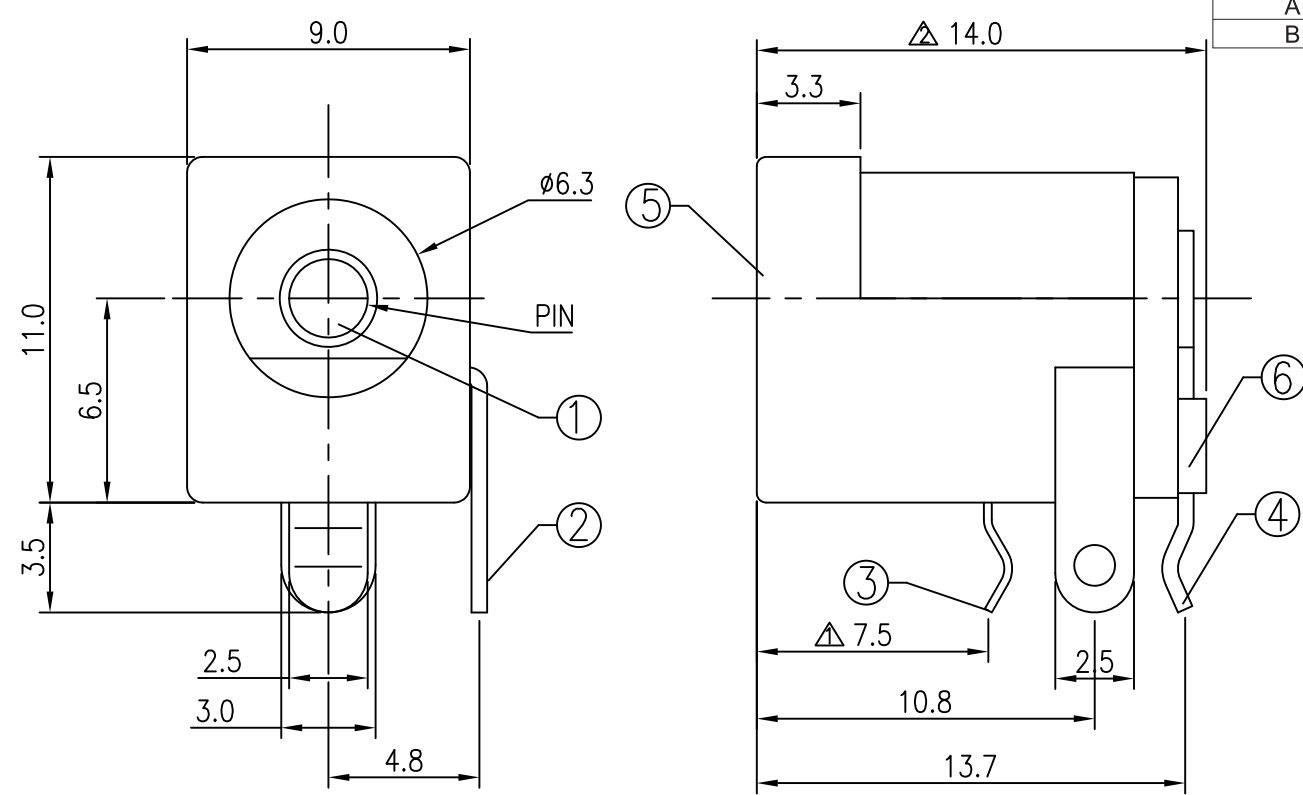
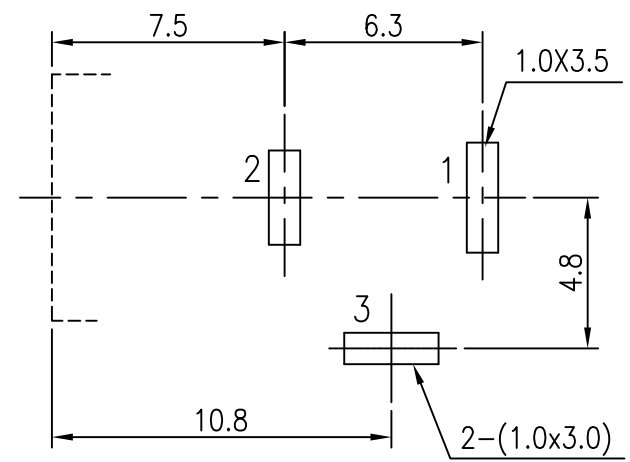


| REV | DESCRIPTION | DATE |
|-----|--------------|-----------|
| A | △X1 修改尺寸符合現品 | 08'.05.17 |
| B | △X1 修改尺寸符合現品 | 09'.08.09 |



| PART NO. | PIN | SCHEMATIC |
|---------------|------------|-----------|
| DJ-020-DP-05A | $\phi 2.0$ | 1 3 |
| DJ-020-DP-05B | $\phi 2.5$ | 2 3 |



T:1.6 Dimensions of PC board holes
Tolerance : ± 0.1 (Printed-top view)

LEAD FREE

| LTR | PART NAME | QTY | MATERIAL | REMARK |
|-----|-------------|-----|-------------|-----------------|
| 6 | COVER | 1 | PBT 4815 | UL-94V0(BLACK) |
| 5 | HOUSING | 1 | PBT 4815 | UL-94V0(BLACK) |
| 4 | FLAT PIECE | 1 | C2680 t=0.5 | MB:Cu Sn PLATED |
| 3 | SPRING | 1 | C5191 t=0.3 | MB:Cu Sn PLATED |
| 2 | CURVE PIECE | 1 | C2680 t=0.5 | MB:Cu Sn PLATED |
| 1 | PIN | 1 | C2680 | MB:Cu Ni PLATED |

| | | | | |
|----------|------------------------|---------------|----------|-------------|
| | PANSTRONG COMPANY LTD. | | DRAWN BY | TOMMY |
| | | | CHECKED | |
| TITLE: | | DC POWER JACK | | APPROVED |
| PART NO: | | DJ-020-DP-05X | | DRAWING NO. |
| SCALE | | / | REV | B |
| | | UNIT | mm | |

UNLESS OTHERWISE SPECIFIED,
TOLERANCE ON DECIMAL:
 ± 0.3