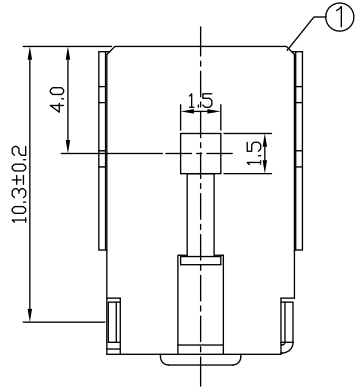
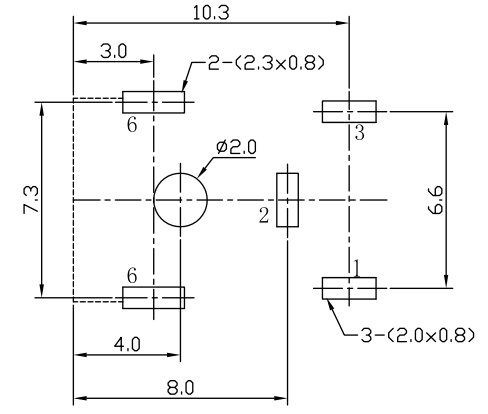
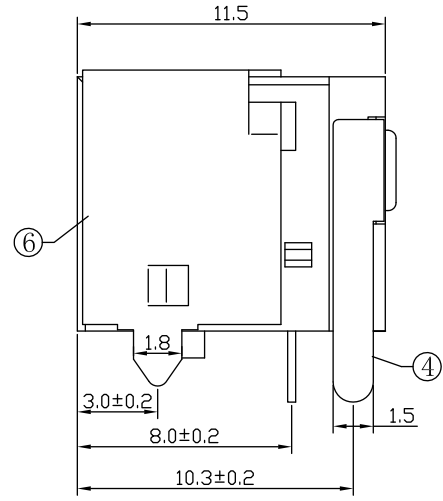
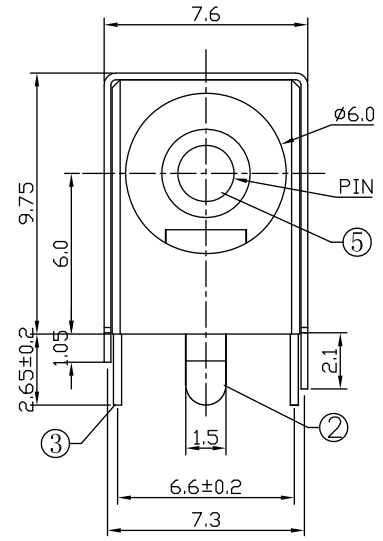


REV	DESCRIPTION	DATE
A	Initial Release	06'.01.10



T:1.6 Dimensions of PC board holes
Tolerance : ±0.1(Printed-top view)

PART. NO.	PIN	SCHEMATIC
DJ-020-DP-17M	Ø2.0	

LEAD FREE

LTR	PART NAME	QTY	MATERIAL	REMARK
6	COAT	1	C2680 t=0.25	MB:Cu Ni PLATED
5	PIN	1	C2680	MB:Cu Ni PLATED
4	CONTACT FOOT	1	C2680 t=0.30	MB:Cu Ag PLATED
3	CURVE PIECE	1	C2680 t=0.30	MB:Cu Ag PLATED
2	SPRING	1	SUS301 t=0.30	MB:Cu Ag PLATED
1	HOUSING	1	PBT 4815	UL-94VO(BLACK)

UNLESS OTHERWISE SPECIFIED,
TOLERANCE ON DECIMAL:
±0.3

PANSTRONG COMPANY LTD.				DRAWN BY		TOMMY	
				CHECKED			
TITLE:				DP PLUG JACK			
PART NO:				DJ-020-DP-17M			
SCALE				REV		A	
UNIT		mm					