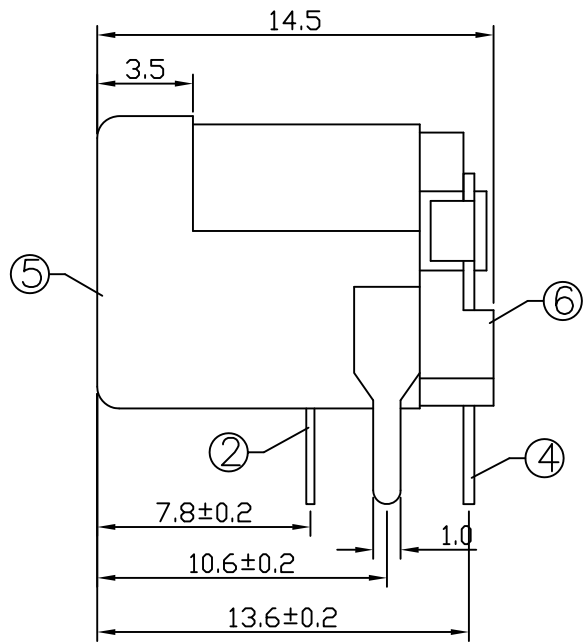
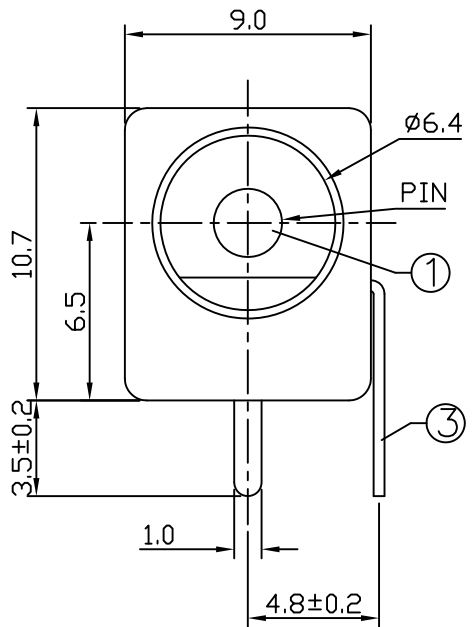
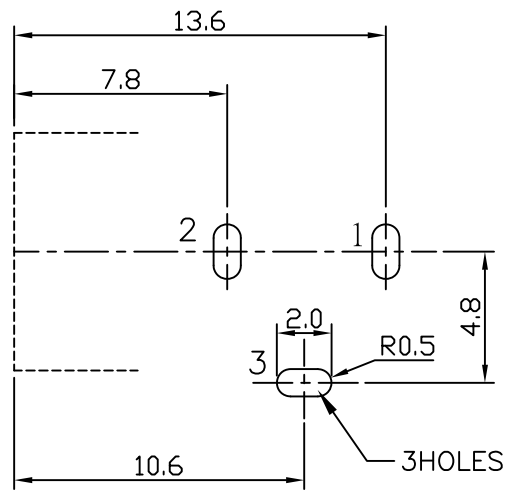
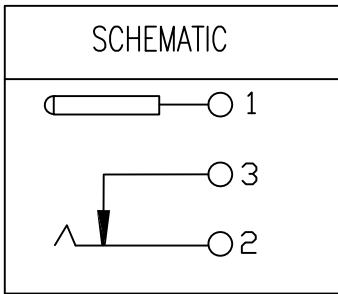


REV	DESCRIPTION	DATE
A	Initial Release	06'.03.08



PART NO.	PIN DIA.
DJ-020-DP-37A	Ø2.0
DJ-020-DP-37B	Ø2.5



T:1.6 Dimensions of PC board holes
Tolerance : ±0.1(Printed-top view)

LEAD FREE

6	COVER	1	PBT 4815	UL-94V0(BLACK)
5	HOUSING	1	PBT 4815	UL-94V0(BLACK)
4	FLAT PIECE	1	C2680	MB:Cu Sn PLATED
3	CURVE PIECE	1	C2680	MB:Cu Sn PLATED
2	SPRING	1	C5191	MB:Cu Sn PLATED
1	PIN	1	C2680	MB:Cu Ni PLATED
LTR	PART NAME	QTY	MATERIAL	REMARK



PANSTRONG COMPANY LTD.

DRAWN BY TOMMY

CHECKED

TITLE:

DC Power Jack DIP, R/A

APPROVED

PART NO:

DJ-020-37X

DRAWING NO.

SCALE

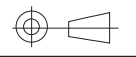
/

REV

A

UNIT

mm



UNLESS OTHERWISE SPECIFIED,
TOLERANCE ON DECIMAL:
±0.3