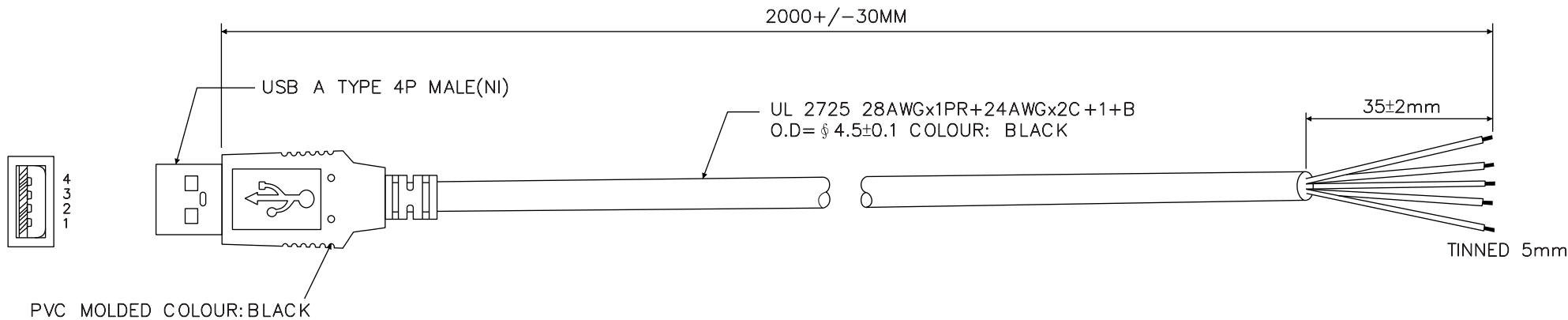


REV	DESCRIPTION	DATE
A	Initial Release	07'.03.01



PIN ASSIGNMENT:

USB A MALE:	1	2	3	4	SHELL
	RED	WHITE	GREEN	BLACK	D.W.
		PAIR			

TOLERANCE	
0 - 10	0.30
10 - 99	1.00
100 - 999	10.0
1000 - 9999	100.00
10000 - 99999	1000.00

PANSTRONG COMPANY LTD.		DRAWN BY	TOMMY
		CHECKED	
TITLE:	USB AM Open End Cable Assembly		APPROVED
PART NO:	CB-AM01DSK-2M		DRAWING NO.
SCALE	/	REV	A
UNIT	mm		