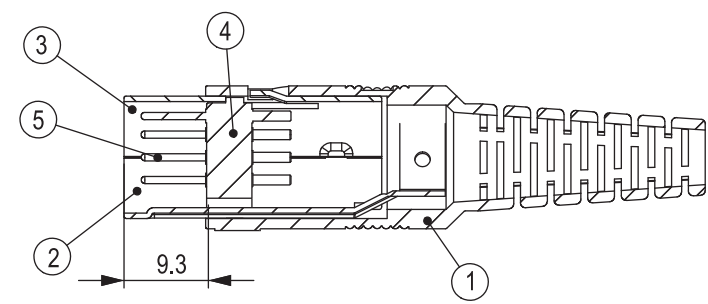
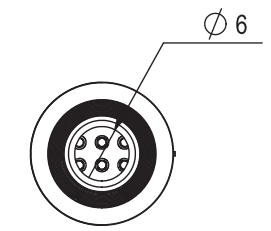
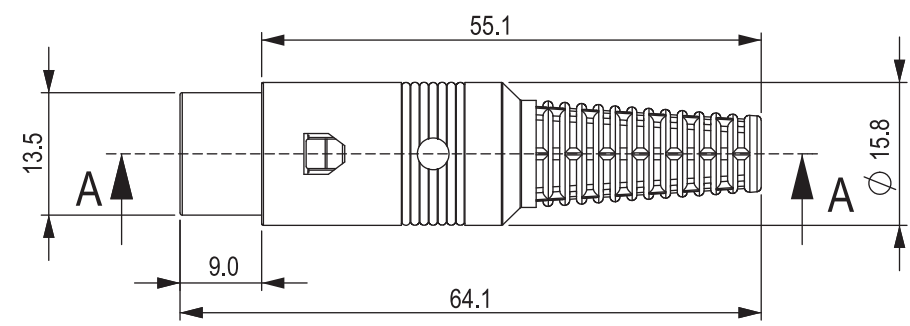
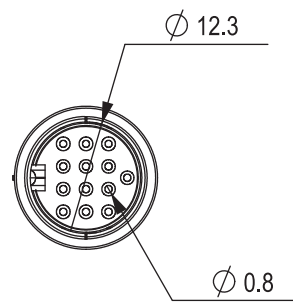


REV	DESCRIPTION	DATE
A	Initial Release	07.01.23



Specifications:  
rating:100V AC 1A MAX  
contact resistance:pins-30mΩ MAX; shell-50mΩ MAX  
insulation resistance:MIN 100MEGΩ @500V DC  
voltage withstand:250V AC R.M.S. for 1 minute

5	Contact Terminals	Brass	Nickel Ptd.	13
4	13P Housing	ABS		1
3	Shield Cover B	Steel	Nickel Ptd.	1
2	Shield Cover A	Steel	Nickel Ptd.	1
1	Shell Cover	EVA + LLDPE		1
No.	Description	Material	Treat	Q'ty

.x ±0.25  
.xx ±0.10

PANSTRONG COMPANY LTD.				DRAWN BY	TOMMY
				CHECKED	
TITLE:		13P DIN CABLE PLUG ASS'Y TYPE		APPROVED	
PART NO:		DN13M01KN-AE		DRAW NO	
File Number:					
SCALE	1:1	REV	A	UNIT	mm