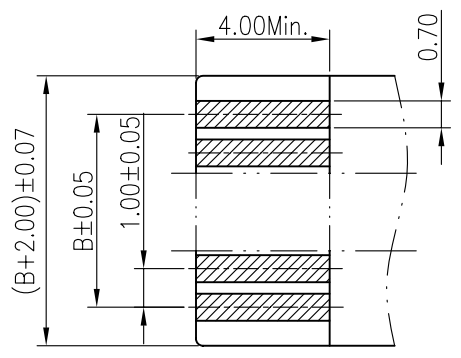
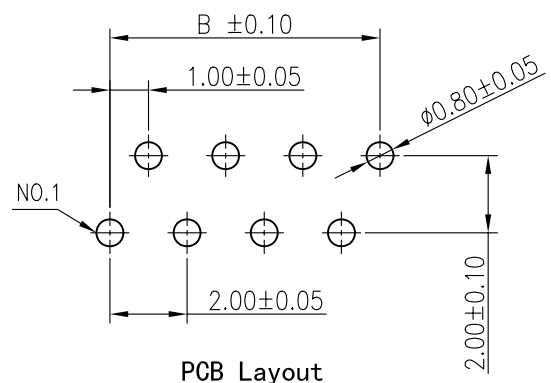
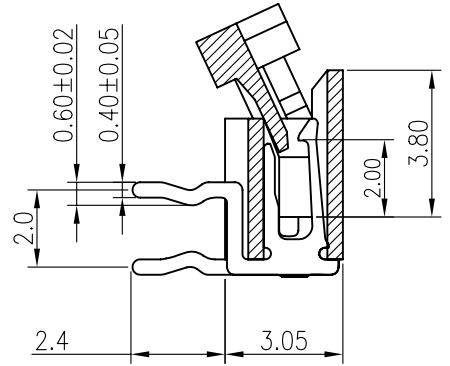
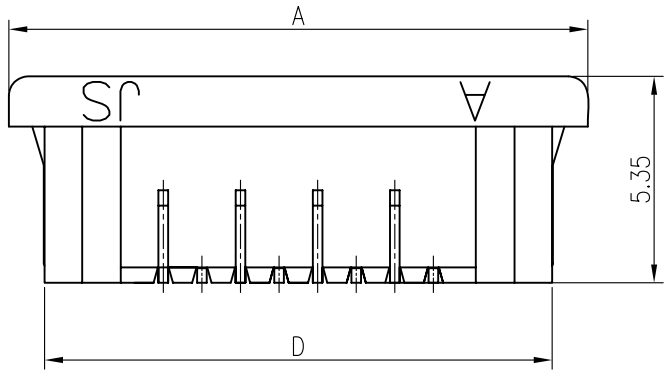
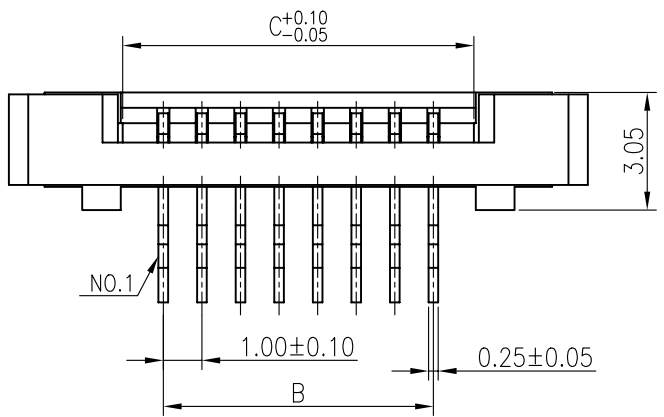


REV	DESCRIPTION	DATE
A	Initial Release	12.12.13



RECOMMENDED FPC SPEC
T=0.30±0.02mm

General Tolerance	
.X±0.5	±*
.XX±0.3	.X±*
.XX±0.2	.XX±*

- SPEC :**
- Housing: NY-46 UL94V-0
 Initial: 500M Ohms Min.
 Color: Grey
 - Locker: PPS UL94V-0
 Initial: 500M Ohms Min.
 Color: Brown
 - Contact: Phosphor Bronze
 Initial: 30M Ohms Max.
 Tin/Lead-Plated
 Voltage Rating: 50V AC,DC
 - Temperature Rating : -25°C ~ +85°C
 - Dielectric Withstanding Voltage : 500V AC/Min

- PART NO.**
 FPxxH30-C01RWUZA-G-C
 1 2
- Contact Positions: 04...40
 - Contact Plating:
 Blank: Tin
 G: Flash Gold

No. of Contacts	DIM A	DIM B	DIM C	DIM D
4	11.00	3.00	5.10	9.15
5	12.00	4.00	6.10	10.15
6	13.00	5.00	7.10	11.15
7	14.00	6.00	8.10	12.15
8	15.00	7.00	9.10	13.15
9	16.00	8.00	10.10	14.15
10	17.00	9.00	11.10	15.15
11	18.00	10.00	12.10	16.15
12	19.00	11.00	13.10	17.15
13	20.00	12.00	14.10	18.15
14	21.00	13.00	15.10	19.15
15	22.00	14.00	16.10	20.15
16	23.00	15.00	17.10	21.15
17	24.00	16.00	18.10	22.15
18	25.00	17.00	19.10	23.15
19	26.00	18.00	20.10	24.15
20	27.00	19.00	21.10	25.15

No. of Contacts	DIM A	DIM B	DIM C	DIM D
21	28.00	20.00	22.10	26.15
22	29.00	21.00	23.10	27.15
23	30.00	22.00	24.10	28.15
24	31.00	23.00	25.10	29.15
25	32.00	24.00	26.10	30.15
26	33.00	25.00	27.10	31.15
27	34.00	26.00	28.10	32.15
28	35.00	27.00	29.10	33.15
29	36.00	28.00	30.10	34.15
30	37.00	29.00	31.10	35.15
31	38.00	30.00	32.10	36.15
32	39.00	31.00	33.10	37.15
33	40.00	32.00	34.10	38.15
34	41.00	33.00	35.10	39.15
35	42.00	34.00	36.10	40.15

3	CONTACT	F10012Y-TT07	n PCS	COPPER ALLOY	Ni: 30u"-100u", SN: 80u"-200u"
		F10012Y-TT-6	n PCS	COPPER ALLOY	Ni: 30u"-100u", SN: 80u"-200u"
2	COVER	F10012Y-C-**-1	1 PCS	THERMOPLASTIC	UL 94V-0, COLOR: BLACK
1	HOUSING	F10012Y-H-**-2	1 PCS	THERMOPLASTIC	UL 94V-0, COLOR: NATURE
ITEM	COMPONENT		Q'TY	MATERIAL	FINISH

PANSTRONG COMPANY LTD.				DRAWN BY		TOMMY	
				CHECKED			
TITLE:		FPC P1.0 H3.0 DIP Right Angle, Upper Contact Cross Pin Type A				APPROVED	
PART NO:		FPxxH30-C01RWUZA-C				DRAWING NO.	
SCALE		1:1	REV	A	UNIT	mm	