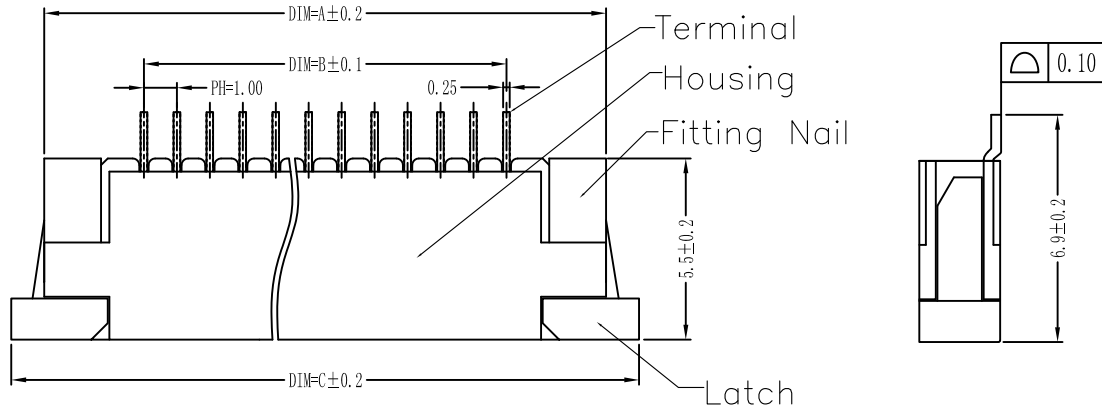
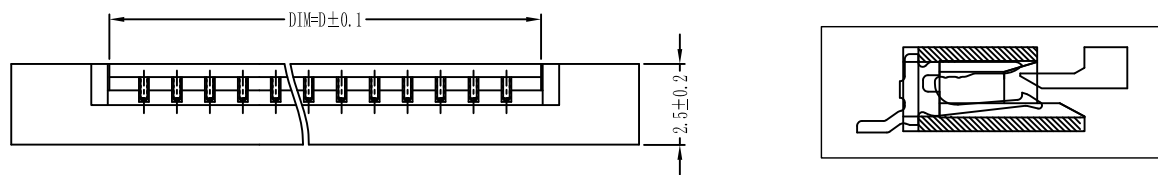


REV	DESCRIPTION	DATE
A	Initial Release	13.02.01



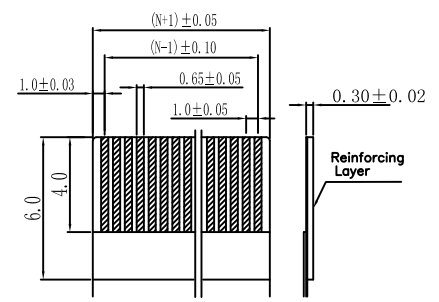
Material:

- 1.1 Housing: thermoplastic high temp. UL94V-0; Color: Natural.
- 1.2 Latch: thermoplastic high temp. UL94V-0; Color: Black.
- 1.3 Terminal: Copper Alloy.
- 1.4 Fitting Nail: Copper Alloy.

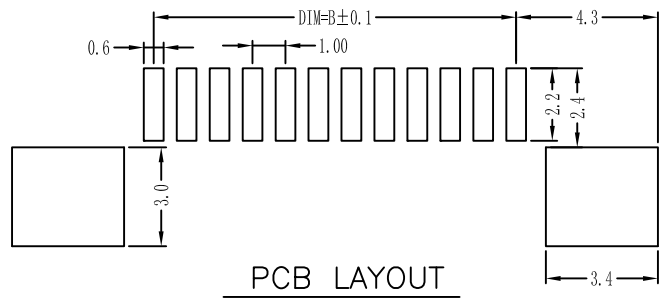


ORDER INFORMATION
 FP_{xx}H25-C03RWDZ-2 $\frac{*}{2}$ $\frac{*}{3}$
 1

- 1.Contact Positions
04..40
- 2.Contact Plating:
Blank: Tin Plating
G: Gold Plating
- 3.Package:
Blank: Tube
R: Tape & Ree



RECOMMENDED FFC/FPC DIM.



PCB LAYOUT

PIN NO.	DIM. A	DIM. B	DIM. C	DIM. D
4~N~40	N+5.1	N-1.0	N+7.0	N+1.1

tolerances	
linear	angles
.x ±0.20	.x' ±5'
.xx ±0.15	.x' ±2'
.xxx ±0.10	.x' ±1'

	PANSTRONG COMPANY LTD.		DRAWN BY	TOMMY
			CHECKED	
TITLE:	1.0mm ZIF FPC Connector, H2.5 SMT R/A, Bottom Contact		APPROVED	
PART NO:	FP _{xx} H25-C03RWDZ-2		DRAWING NO.	
SCALE	1:1	REV	A	UNIT mm

