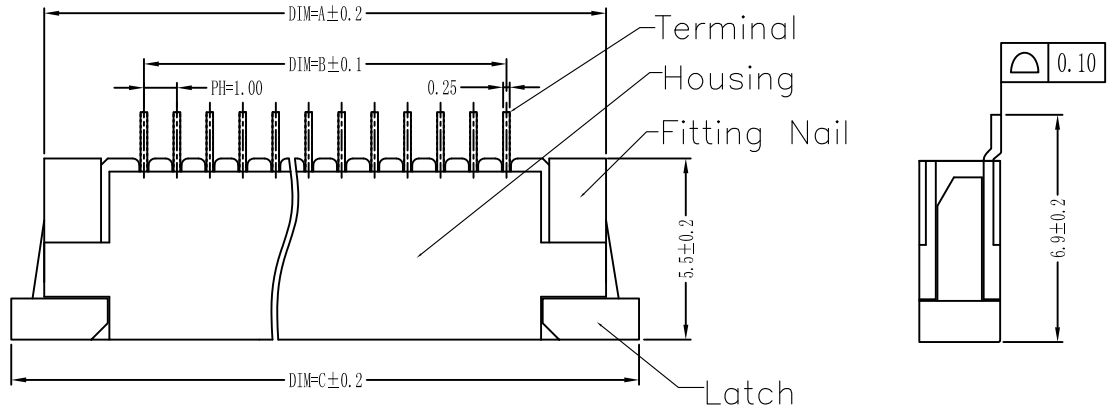
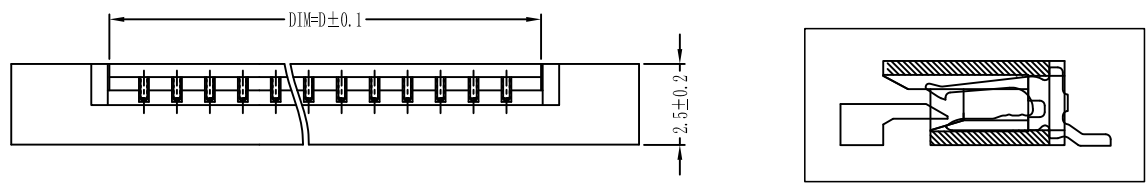


REV	DESCRIPTION	DATE
A	Initial Release	13.02.01



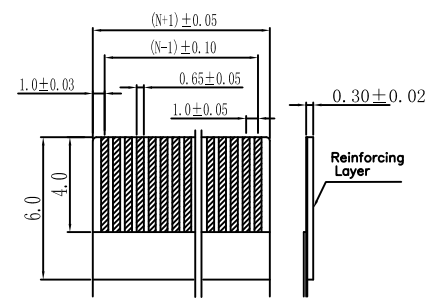
Material:

- 1.1 Housing: thermoplastic high temp. UL94V-0; Color: Natural.
- 1.2 Latch: thermoplastic high temp. UL94V-0; Color: Black.
- 1.3 Terminal: Copper Alloy.
- 1.4 Fitting Nail: Copper Alloy.

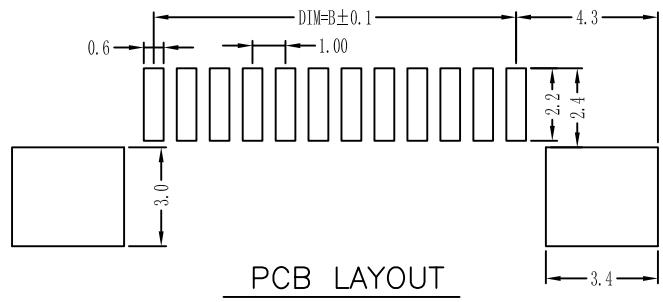


ORDER INFORMATION  
 FP<sub>xx</sub>H25-C03RWUZ-2 \*<sup>\*</sup>/<sub>2</sub> \*<sup>\*</sup>/<sub>3</sub>

- 1.Contact Positions  
04..40
- 2.Contact Plating:  
Blank: Tin Plating  
G: Gold Plating
- 3.Package:  
Blank: Tube  
R: Tape & Ree



RECOMMENDED FFC/FPC DIM.



PCB LAYOUT

PIN NO.	DIM. A	DIM. B	DIM. C	DIM. D
4~N~40	N+5.1	N-1.0	N+7.0	N+1.1

tolerances	
linear	angles
.x ±0.20	.x' ±5'
.xx ±0.15	.x' ±2'
.xxx ±0.10	.x' ±1'

PANSTRONG COMPANY LTD.				DRAWN BY		TOMMY	
				CHECKED			
TITLE: 1.0mm ZIF FPC Connector, H2.5 SMT R/A, Upper Contact				APPROVED			
				DRAWING NO.			
PART NO: FP <sub>xx</sub> H25-C03RWUZ-2				UNIT	mm		
SCALE		1:1	REV	A			