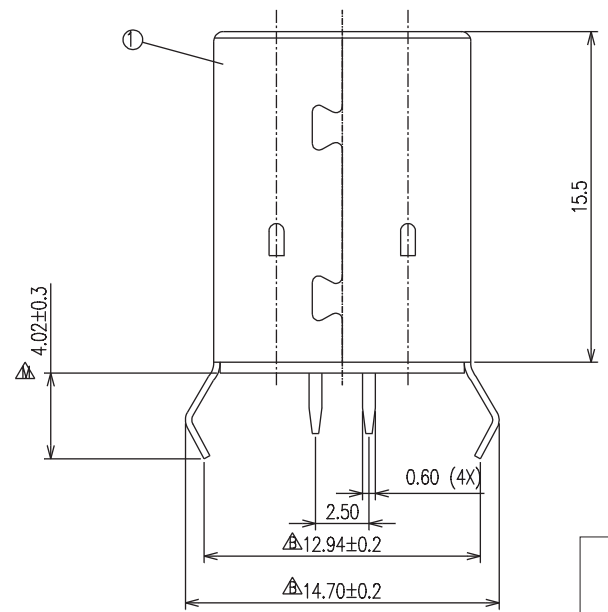
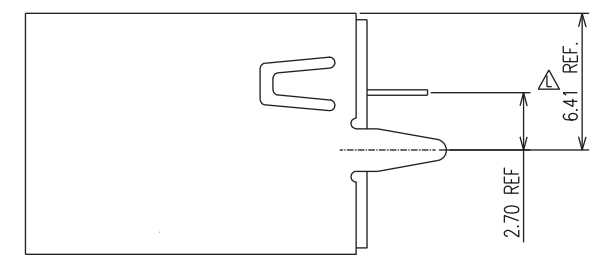
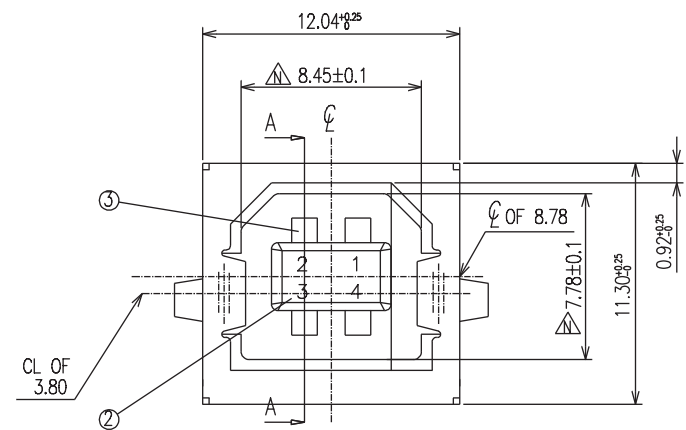
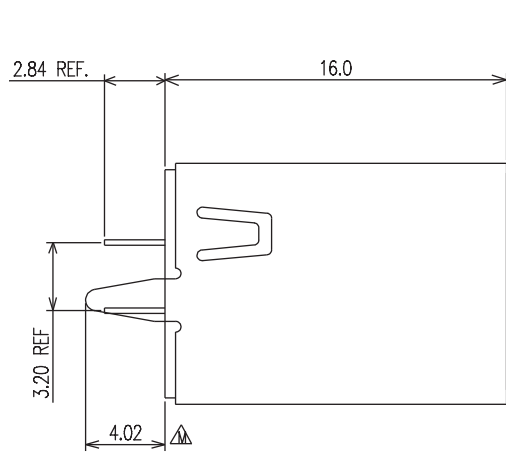


REV.	DESCRIPTION	DATE
H	NEW RELEASE P/N Δ x1	02/12/04'
I	Δ x1	05/29/04'
J	MODIFY PLATING SPEC. Δ x1	06/29/04'
K	MODIFY TABLE Δ x1	09/14/04'
L	Δ x5, AX5	07/11/06'
M	Δ x1, AX1	09/12/07'
N	Δ x2, MX2	04/14/08'
O	Δ x1, MX1	01/21/11'



3	CONTACT	4	COPPER ALLOY, SELECTIVE GOLD PLATING REFER TO "TABLE A"
2	HOUSING	1	THERMOPLASTIC, GLASS FILLED, 130°C, UL 94V-0 RATED
		1	HIGH TEMPERATURE THERMOPLASTIC, (PA-6T) UL 94V-0 RATED
1	SHELL	1	COPPER ALLOY, TIN/LEAD, NICKEL OR GOLD PLATED OVER COPPER /REFER TO "TABLE A"
ITEM	NAME	Q'TY	MATERIAL / FINISH

TOLERANCES UNLESS OTHERWISE SPECIFIED	
GENERAL	±0.25
FRACTIONS	±0.13
ANGLES	±0.07

PANSTRONG COMPANY LTD.				DRAWN BY		TOMMY	
				CHECKED			
TITLE:				USB CONNECOTR, SERIES B, 4 POSTIONS, VERTICAL TYPE, THRU-HOLE			
PART NO:				UBS02-4F****			
SCALE				4:1	REV	O	
UNIT		mm		APPROVED		DRAW NO	

REV.	DESCRIPTION	DATE
H	NEW RELEASE P/N \triangle x1	02/12/04'
I	\triangle x1	05/29/04'
J	MODIFY PLATING SPEC. \triangle x1	06/29/04'
K	MODIFY TABLE \triangle x1	09/14/04'
L	\triangle x5, AX5	07/11/06'
M	\triangle x1, AX1	09/12/07'
N	\triangle x2, MX2	04/14/08'
O	\triangle x1, MX1	01/21/11'

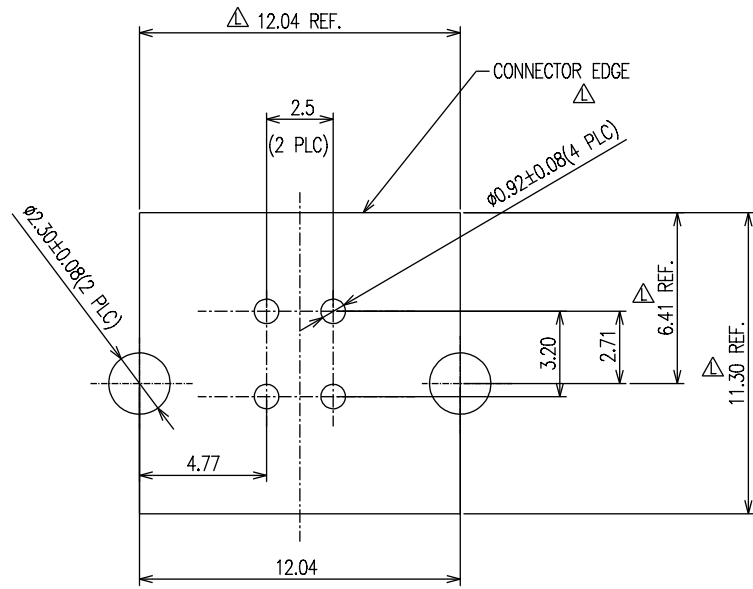


FIGURE A: PCB FOOTPRINT FOR RECEPTACLE (THROUGH-HOLE)

\triangle \triangle :

- 1.0. RATING :
- 1.1. VOTAGE : 30 VAC (R.M.S.)
- 1.2. CURRENT : 1.5 AMPERE MINIMUM PER CONTACT AT 30°C T-RISE
- 1.3. TEMPERATURE : -55°C TO +85°C

- 2.0. ELECTRICAL CHARACTERISTIC :
- 2.1. CONTACT RESISTANCE : 30 MILLIOHMS MAXIMUM INITIAL
- 2.2. INSULATION RESISTANCE : 1,000 MEGOHMS MINIMUM
- 2.3. DIELECTIC WITHSTANDING VOLTAGE : 500 VAC AT SEA LEVEL
- 2.4. CAPACITANCE : 2 PICOFARADS MAXIMUM AT 1KHZ

3.0. OTHERS :

- 3.1. RECOMMENDED PC BOARD THICKNESS OF 1.57mm
- 3.2. THIS ALLOW FOR A PANEL THICKNESS OF 2.67mm MAXIMUM, IF THE RECEPTACLE CONNECTOR IS MOUNTED BEHIND A PANEL.
- 3.3. RECOMMENDED PC BOARD MOUNTING DIMMENSION : REFER FIGURE A
- 3.4. DATUM AND BASIC DIMMENSIONS ESTABLISHED BY CUSTOMER.
- 3.5. PRODUCT NUMBERING CODE : REFER TO TABLE A

TABLE A:
PART NO.

UBS02 - $\frac{4}{1} \frac{F}{2} \frac{*}{3} \frac{*}{4} \frac{*}{5} \frac{*}{6}$

1. Type: B, Through Hole, Vertical
2. No. of Contact: 4 Positions
3. F: Socket
4. Color of Insulation: W White, K Black
5. Plating of Contact: 05: 5u" Gold
30: 30u" Gold
6. Plating of Shell:
C: Bright Tin
J: Nickel

PANSTRONG COMPANY LTD.				DRAWN BY		TOMMY	
				CHECKED			
TITLE:		USB CONNECOTR, SERIES B, 4 POSTIONS, VERTICAL TYPE, THRU-HOLE				APPROVED	
PART NO:		UBS02-4F****				DRAW NO	
SCALE		4:1		REV		O	
UNIT		mm					

TOLERANCES UNLESS OTHERWISE SPECIFIED	
GENERAL	FRACTIONS
X	AS SHOWN
XX	0.25
XXX	0.13
XXXX	0.075
ANGLES	1:50
X	1:20
XX	1:10