

REV.	EC#	DESCRIPTION	DATE
A	ECR07045	Release Per RFQ07248	08/15/07
B	ECR07058	△X8, AX8	09/14/07
C	KSECRO8011	△X1, MX1	01/30/08

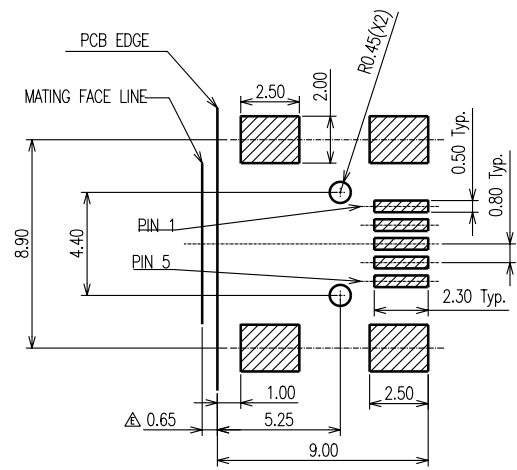
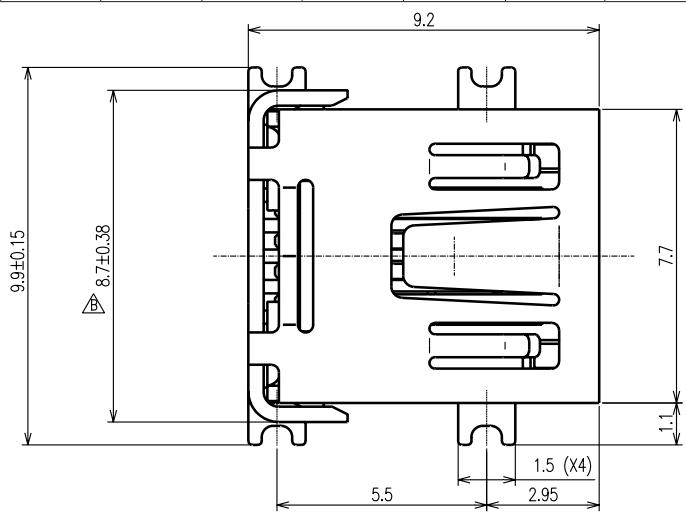
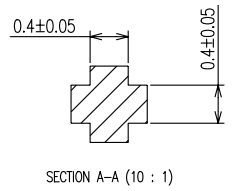
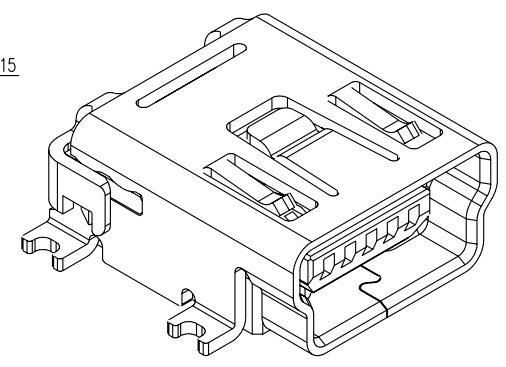
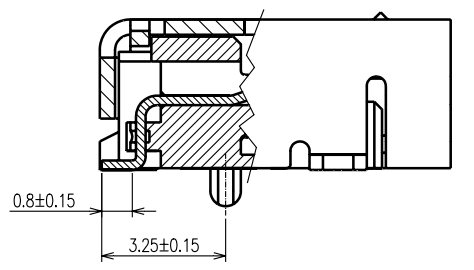
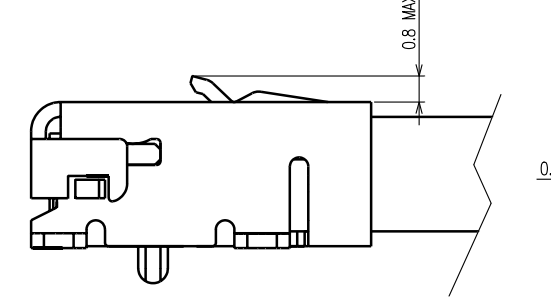
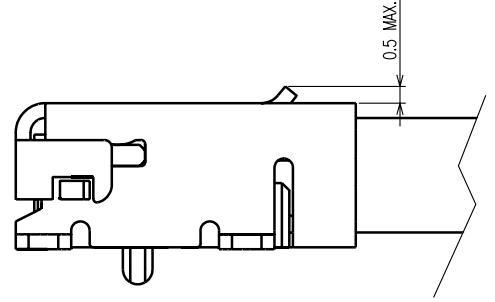
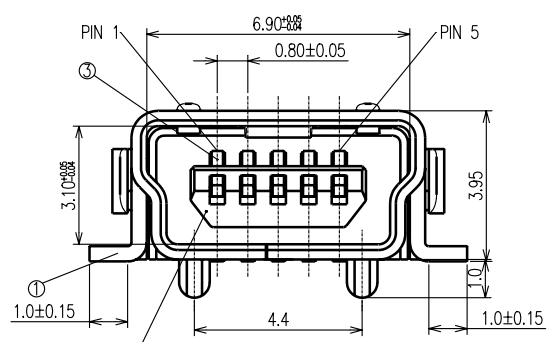
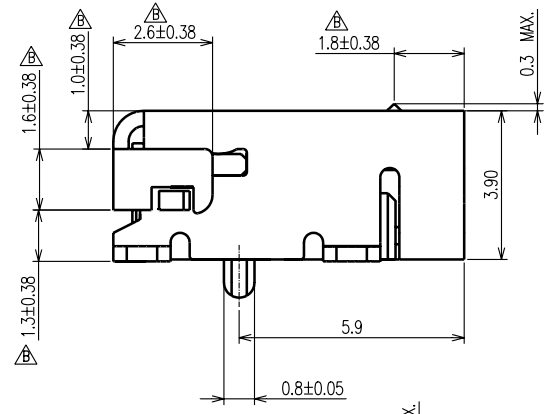
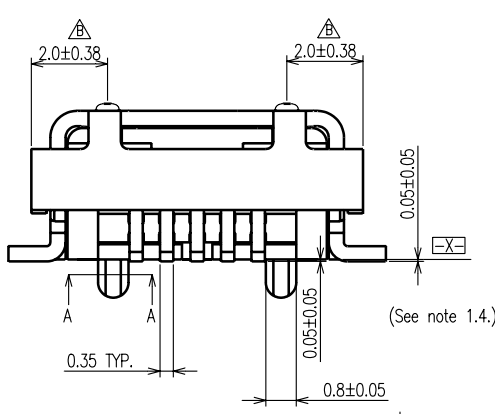


FIGURE A : Printed Circuit Board (PCB) Layout(SCALE 5 : 1)

- 1.0. OTHERS :  
 1.1. PRODUCT SPECIFICATION : CSP-MNC10-00-00  
 1.2. RECOMMENDED PC BOARD THICKNESS 0.80mm OF 1.57mm  
 1.3. RECOMMENDED PC BOARD MOUNTING DIMENSION : REFER FIGURE A  
 1.4. SHELL AND CONTACT COPLANARITY IS 0.10 MAX.

PARB NO.  
 MUSBB 5 F 03 01 K 30  
 1 2 3 4 5 6 7

1. MINI USB B TYPE  
 2. No. of Contact: 5 Positions  
 3. F: Socket  
 4. 03: SMT  
 5. 01: Right Angle  
 6. Color of Insulation: K: Black, W: White  
 7. Plating of Contact: 30: 30u" Gold, 05: 05u" Gold



SCALE 8 : 1

ITEM	NAME	Q'TY	MATERIAL / FINISH
3	CONTACT	5	COPPER ALLOY/SELECTIVE GOLD PLATED ON MATING AREA (REFER TO TABLE A)
2	HOUSING	1	HIGH TEMPERATURE THERMOPLASTIC, GLASS FILLED, 240°C, UL 94V-0 RATED
1	SHELL	1	COPPER ALLOY/HALF-BRIGH TIN PLATED OVER COPPER

ROHS-COMPLIANT

TOLERANCES UNLESS OTHERWISE SPECIFIED	
GENERAL	X 0.20
F	0.25
J	0.11
K	0.11
M	0.05
N	0.05
P	0.05
R	0.05
S	0.05
T	0.05
V	0.05
W	0.05
X	0.05
Y	0.05
Z	0.05
ANGLES	±0.07
	±0.07
	±0.07

				DRAWN BY		TOMMY	
				CHECKED			
TITLE:				MINICONN.(MINI USB) MINI-B RECEP. R/A, SMT			
PART NO:				MUSBB5F0301K30R			
SCALE		8:1	REV	C	APPROVED		C-MNC20 -00-00
UNIT	mm			DRAWING NO.			
				UNIT		mm	