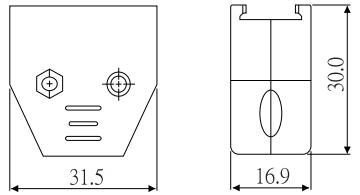
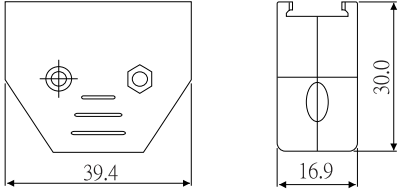


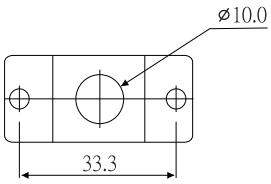
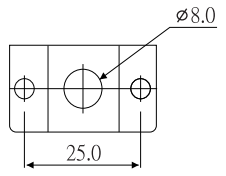
REV	DESCRIPTION	DATE
A	Initial Release	06.05.25



P/N HS09105X02



P/N HS15105X02

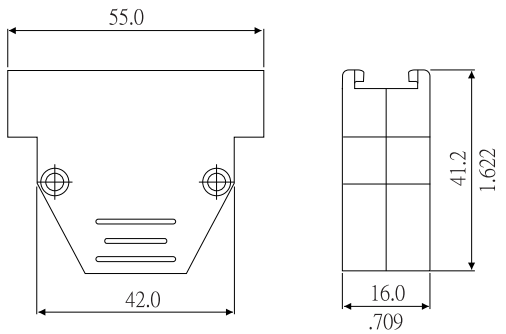


Material:
Hood: ABS UL 94HB
Screw: Steel with Nickel plated
Cable Clipper: Steel with Nickel plated

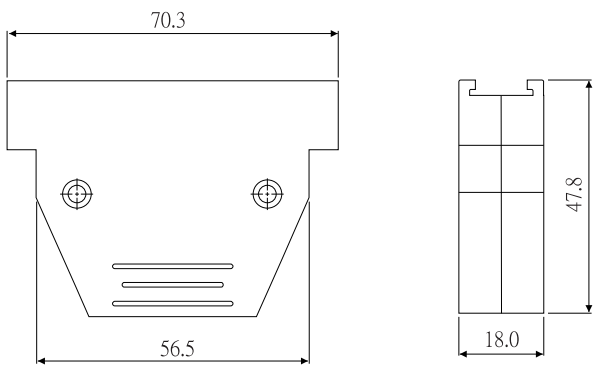
PART NO. HSxx105X02

Pole : 09, 15, 25, 37

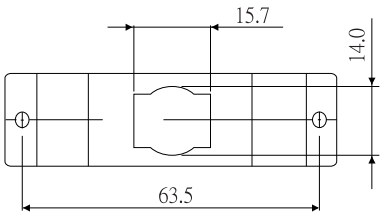
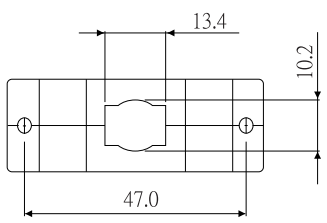
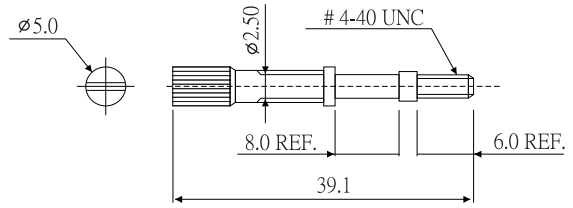
HOUSING COLOR
K : BLACK
G : GREY
C : CHROME PLATED



P/N HS25105X02



P/N HS37105X02



PANSTRONG COMPANY LTD.				DRAWN BY		TOMMY			
				CHECKED					
TITLE:				D-SUB Plastic Hood					
PART NO:				HSxx105X02					
SCALE				/		REV		A	
UNIT		mm		APPROVED					
				DRAWING NO.					
				UNIT		mm			