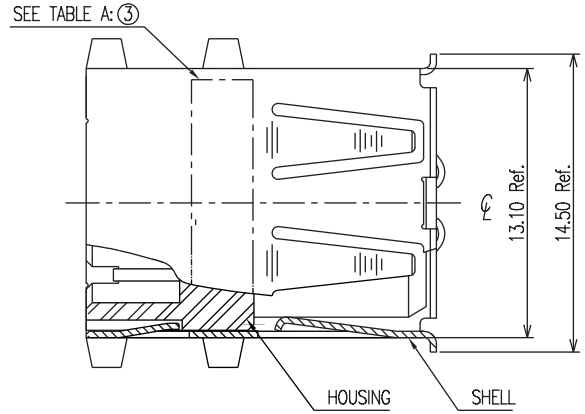
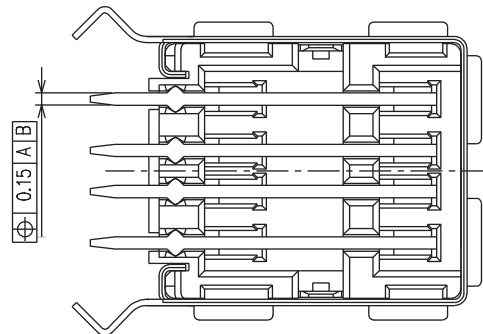
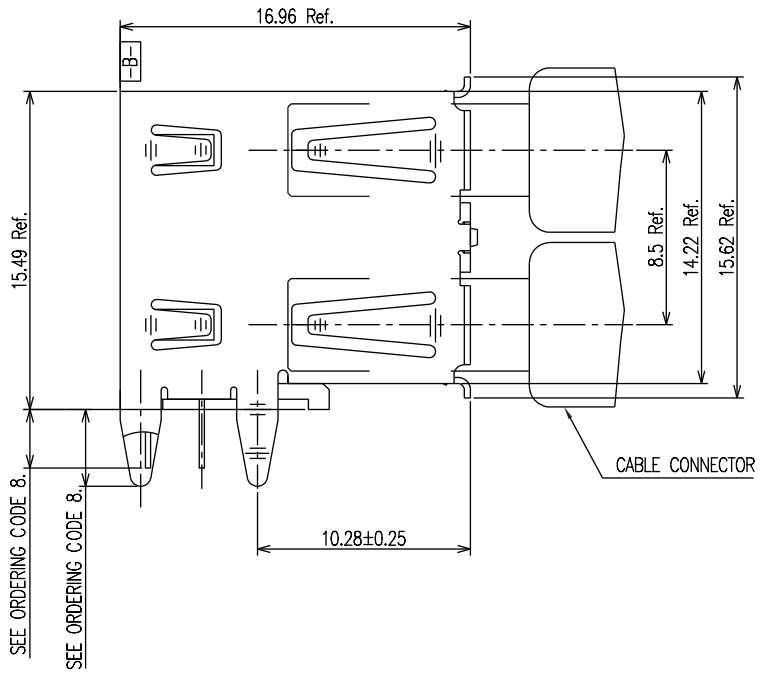
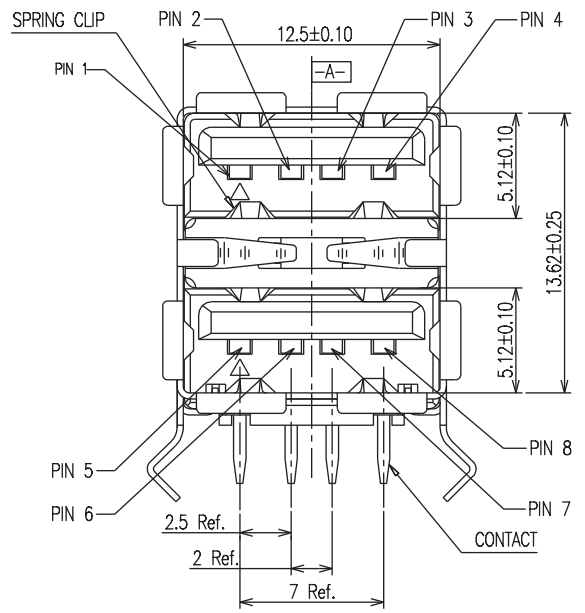


REV	DESCRIPTION	DATE
A	Initial Release	98.12.17



ORDERING CODE :  
 UAR01- 4 F x2 x xx J \* \*  
 1 2 3 4 5 6 7 8

- No. of contact: 4 positions (per deck)
- F : Socket
- x2: Double Deck
- Insulator color: W: White B: Black
- Contact plating:  
 05: 5u" selective gold  
 30: 30u" selective gold
- Plating of shell : C: Bright Tin J: Nickel
- Material of Housing :  
 Blank : PBT  
 H : PA-6T
- Solder Tail & Kink Length  
 Blank : 2.84mm, Shell Kink 3.72mm  
 1 : 2.25mm, Shell Kink 3.72mm  
 3 : 2.84mm, Shell Kink 3.1mm  
 5 : 3.2mm, Shell Kink 4.55mm



- NOTES :
- RATING :
  - VOTAGE : 30 VAC (R.M.S.)
  - CURRENT : 1.5 A AT 30 VAC MINIMUM PER CONTACT AT 30°C T-RUSE
  - TEMPERATURE : -55°C TO +85°C

- 2.0 ELECTRICAL CHARACTERISTIC :
- CONTACT RESISTANCE : 30 MILLIOHMS MAXIMUM INITIAL
  - INSULATION RESISTANCE : 1,000 MEGOHMS MINIMUM
  - DIELECTIC WITHSTANDING VOLTAGE : 500 VAC AT SEA LEVEL
  - CAPACITANCE : 2 PICOFARADS MAXIMUM AT 1KHZ

- 3.0 MATERIALS :
- SHELL : BRASS
  - HOUSING : THEROPLASTIC UL94V-0 RATED
  - CONTACT : COPPER ALLOY
  - SPRING CLIP : BRASS

- 4.0 FINISHES :
- SHELL : SEE ORDERING CODE 5.
  - CONTACT : SEE ORDERING CODE 5.

- 5.0 OTHERS :
- RECOMMENDED PC BOARD THICKNESS OF 1.57mm
  - THIS ALLOW FOR A PANEL THICKNESS OF 2.67mm MAXIMUM, IF THE RECEPTACLE CONNECTOR IS MOUNTED BEHIND A PANEL.
  - RECOMMENDED PC BOARD MOUNTING DIMMENSION : REFER FIGURE A
  - DATUM AND BASIC DIMMENSIONS ESTABLISHED BY CUSTOMER.

5	CONTACT	4	COPPER ALLOY
4	CONTACT	4	COPPER ALLOY
3	SHELL	1	BRASS
2	HOUSING	1	THEROPLASTIC UL94V-0 RATED
1	SPRING CLIP	1	BRASS / BRIGHT TIN OVER COPPER
ITEM	NAME	Q'TY	MATERIAL / FINISH

TOLERANCES UNLESS OTHERWISE SPECIFIED	
GENERAL	X ±0.38
	X ±0.25
	XX ±0.13
	XXX ±0.05
ANGLES	X° ±3.07
	X° ±2.27
	XX° ±1.07

<b>PANSTRONG COMPANY LTD.</b>				DRAWN BY		TOMMY	
				CHECKED			
<b>TITLE:</b> SERIES A STACKED RECEPTACLE (4x2) POSN, R/A, THRU-HOLE				APPROVED			
				DRAWING NO.			
PART NO:		UAR01-4Fx2xxxJ		UNIT		mm	
SCALE		4:1		REV		A	

