

REV	DESCRIPTION	DATE
A0	Initial Release	06:03:23

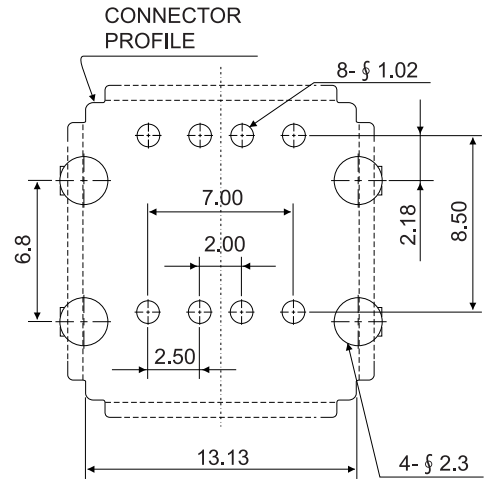
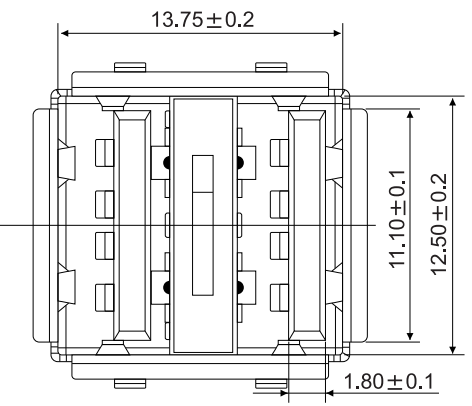
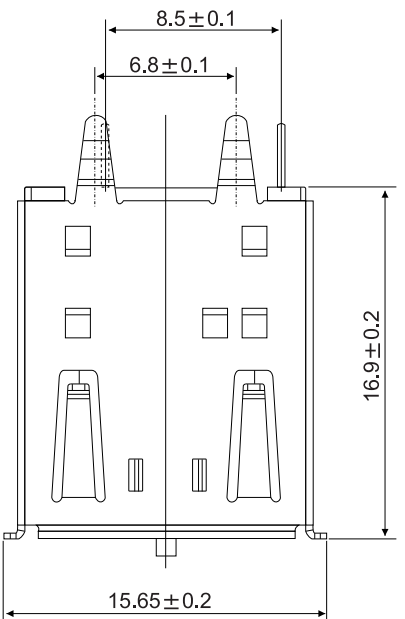
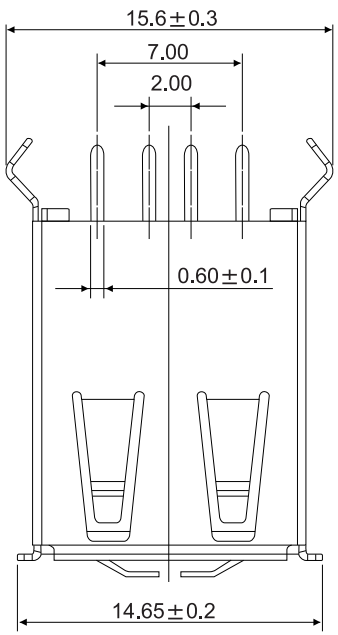
Note:

- Material:
  - Insulator: High temperature
  - Contact: Copper alloy, l=0.25mm
  - Shell: Spcc, t=0.30mm
- Specification:
  - Current rating: 1.5A MAXIMUM
  - Dielectric withstanding  
voltage: 500 V(oc) for 1 min.
  - Contact resistance: 30 mΨ Max.
  - Insulation resistance: 1000 MΨ min.
  - Total mating force: 4.0 Kgf Max.
  - Total unmating force: 1.0 Kgf Min.
  - Temperature range: -55°C~85°C

TABLE A: PRODUCT NUMBERING CODE:

UAS02 - 4 F X 2 X X C  
 1 2 3 4 5 6

- UBAS02: USB A, VERTICAL, RECEPTACLE, DOUBLE DECK
- 4: 4 POSITION
- F: FEMALE
- COLOR OF HOUSING  
K: BLACK  
W: WHITE
- PLATING OF CONTACT:  
05: 5u" GOLD PLATING  
30: 30u" GOLD PLATING
- PLATING OF SHELL  
J: NI PLATED  
C: NI/TIN W/O LOGO  
\*\*MATERIAL OF INSULATION: PBT



ROHS COMPLIANT

PANSTRONG COMPANY LTD.				DRAWN BY		TOMMY	
				CHECKED			
TITLE:		USB-A TYPE P.C.B(F) 180° DOUBLE DECK				APPROVED	
PART NO:		UAS02-4Fx2				DRAWING NO.	
SCALE		2:1	REV	A0	UNIT	mm	