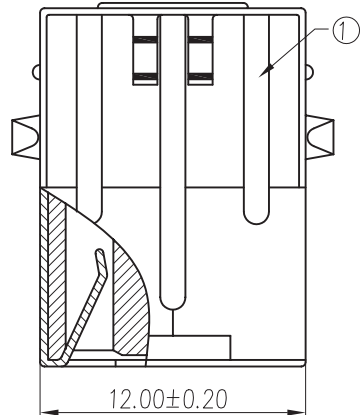
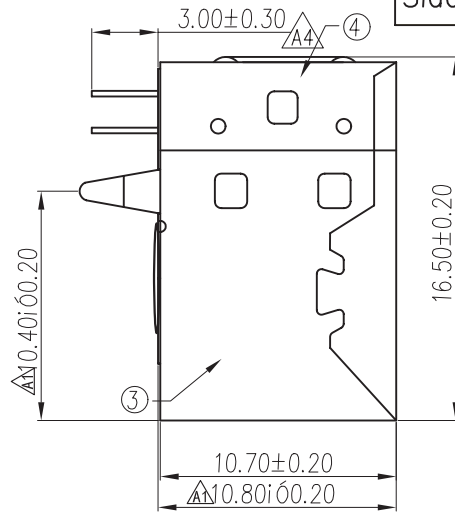


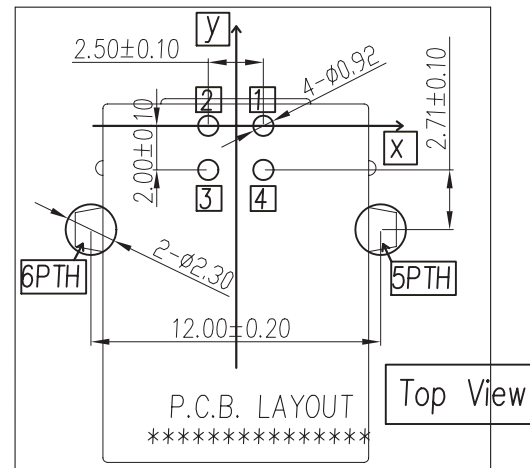
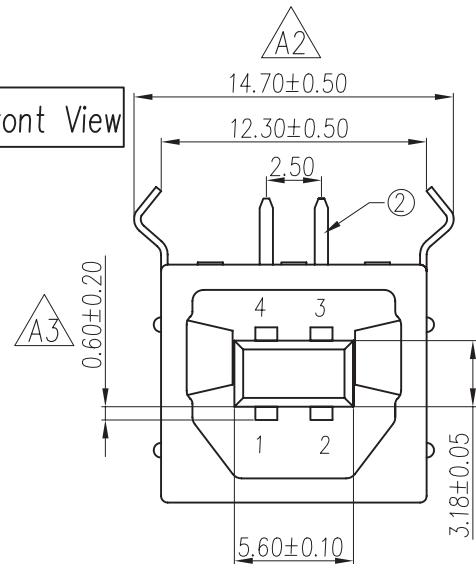
Bottom View



Side View



Front View



Top View

ROHS Compliant

TOLERANCE UNSPECIFIED	
.x	±0.30
.xx	±0.20
.xxx	±0.10
ANG.	±1°

REV	DESCRIPTION	DATE
A1	△ Add Controlled Dimensions <sup>10.80±0.20</sup> / <sub>10.40±0.20</sub>	08'.12.18
A2	△ Dimensions Change <sup>14.90±0.30</sup> → <sup>14.70±0.30</sup>	09'.09.16
A3	△ Add Controlled Dimensions <sup>0.60±0.20</sup>	10'.07.07
A4	△ Change Back Cover Salient Point	12'.02.20
A5	△ Shell and Back Cover Material Change	13'.09.16

Specification:

- Rated voltage and current: 1.5A at 30V AC minimum.x
- Dielectric withstanding voltage: 500V AC/1 minute without breakdown.
- Contact resistance: Before life test 30m ohm Max.  
After life test 50m ohm max
- Insulation resistance: 1000M ohm Min at DC 500V.
- Insertion force: 35 Newtons Max.
- Extraction force: 10 Newtons Min.
- Solderability: Terminal shall be immersed in flux before text, Then dip in molten solder for 5±0.5 sec. At 245±5°C

PART NO.

UBR01B - 4 F W 03 J  
1 2 3 4 5 6

- Type: B, Through Hole, Right Angle with Back Shield
- No. of Contact: 4 Positions
- F: Socket
- Color of Insulation: W White, K Black
- Plating of Contact: 03: Gold Flash
- Plating of Shell:  
J: Nickel Plating

No.	Name	Q'ty	Material	Remarks & Thickness	Finish
4	Back-shell	1	Steel KU570	T=0.30mm	Cu: 40u"min. 80u"min. Nickel Plated
3	Shell	1	Steel KU570	T=0.30mm	Cu: 40u"min. 80u"min. Nickel Plated
2	Contact	4	Brass	T=0.25mm	Contact area: 0.8u"min. Gold Plated over 40u" Nickel min. Solder area: 80u"min. Tin Plated over 40u" Nickel min.
1	Housing	1	P.B.T	UL 94-V0	Black/White

PANSTRONG COMPANY LTD.				DRAWN BY		TOMMY	
				CHECKED			
TITLE:				USB-B(F)90°DIP (Solder Tail 3.0)			
PART NO:				UBR01B-4F**J			
SCALE		1:1		REV		A5	
UNIT		mm		APPROVED		DRAWING NO. S/A-433-05	