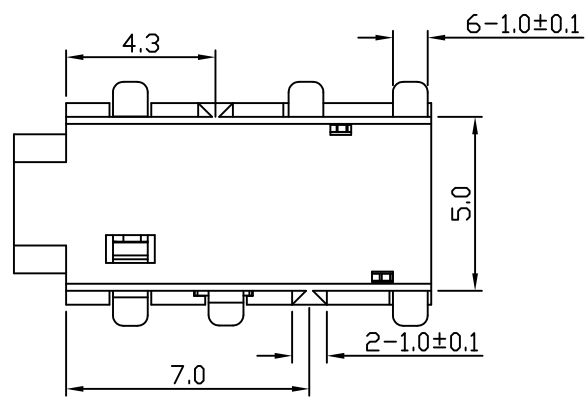
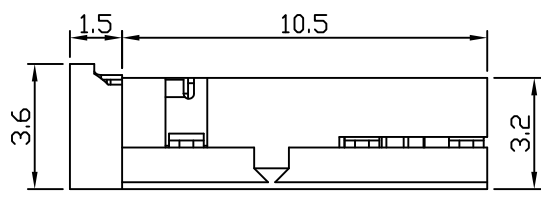
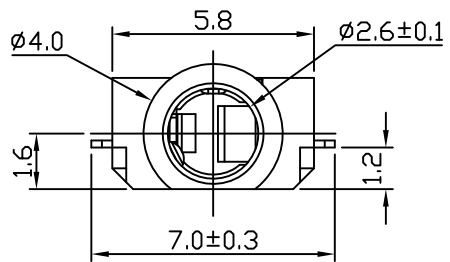
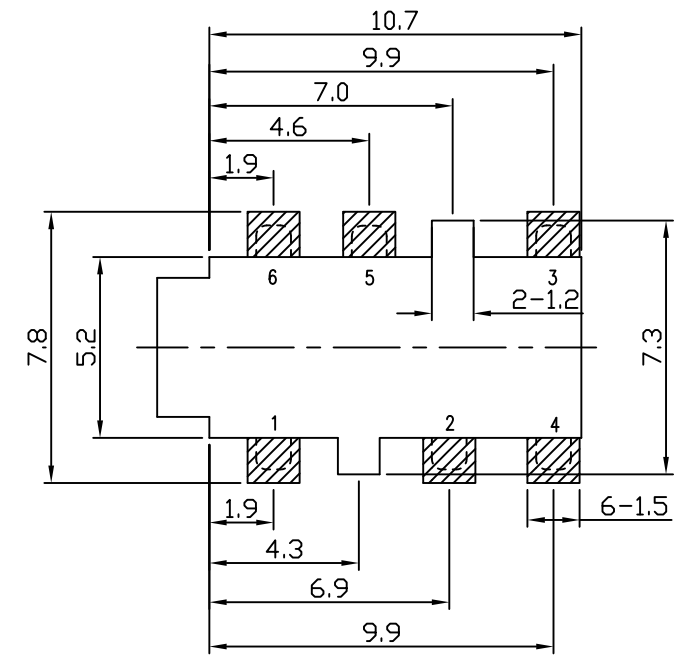
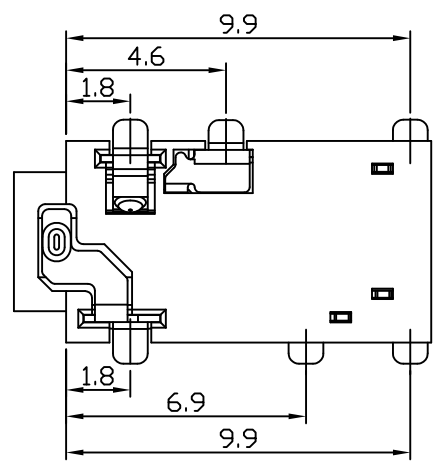
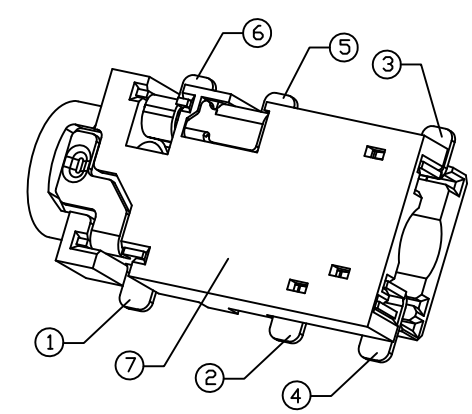
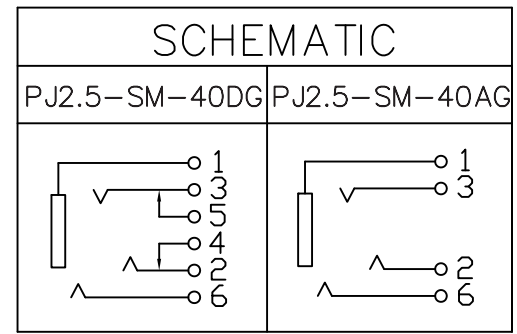


REV	DESCRIPTION	DATE
A	Initial Release	09.06.01



T:1.6 Dimensions of PC board holes
Tolerance : ±0.1(Printed-top view)



LEAD FREE

6	HOUSING	1	PA9T	UL-94V0(BLACK)
5	6# TERMINAL	1	C5191 t=0.20	MB:Ni Au PLATED
5	5# TERMINAL	1	C5191 t=0.20	MB:Ni Au PLATED
4	4# TERMINAL	1	C5191 t=0.20	MB:Ni Au PLATED
3	3# TERMINAL	1	C5191 t=0.20	MB:Ni Au PLATED
2	2# TERMINAL	1	C5191 t=0.20	MB:Ni Au PLATED
1	1# TERMINAL	1	C5191 t=0.20	MB:Ni Au PLATED
LTR	PART NAME	QTY	MATERIAL	REMARK

UNLESS OTHERWISE SPECIFIED, TOLERANCE ON DECIMAL: ±0.2

	PANSTRONG COMPANY LTD.		DRAWN BY	TOMMY
			CHECKED	
TITLE:	MINIATURE JACK		APPROVED	
PART NO:	PJ2.5-SM-40xG		DRAWING NO.	
SCALE	/	REV	A	UNIT mm