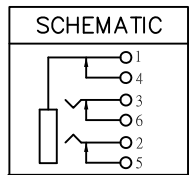
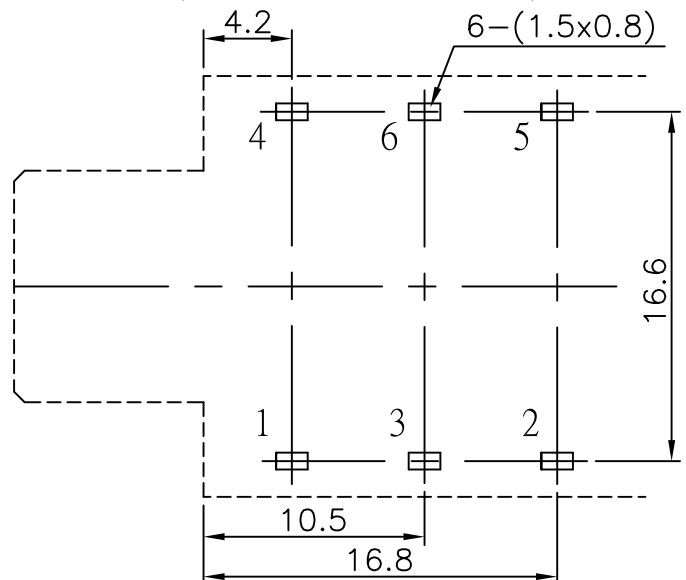
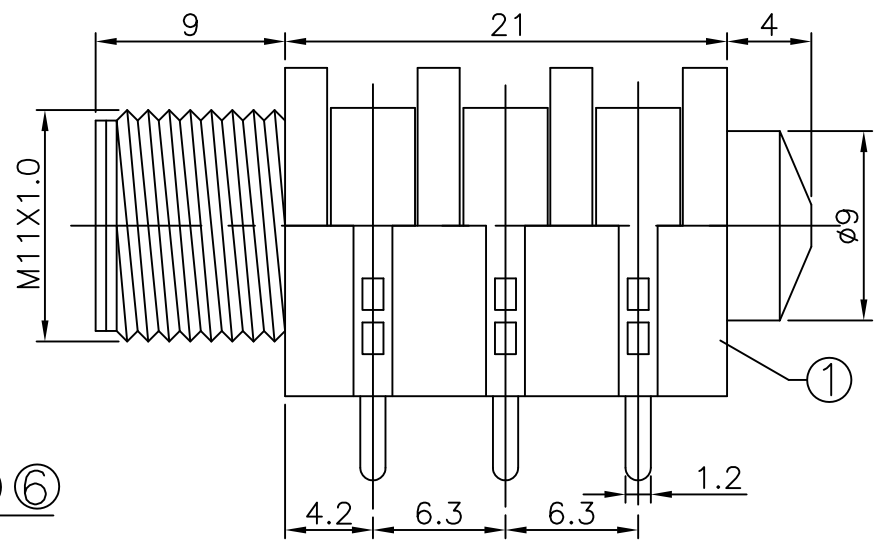
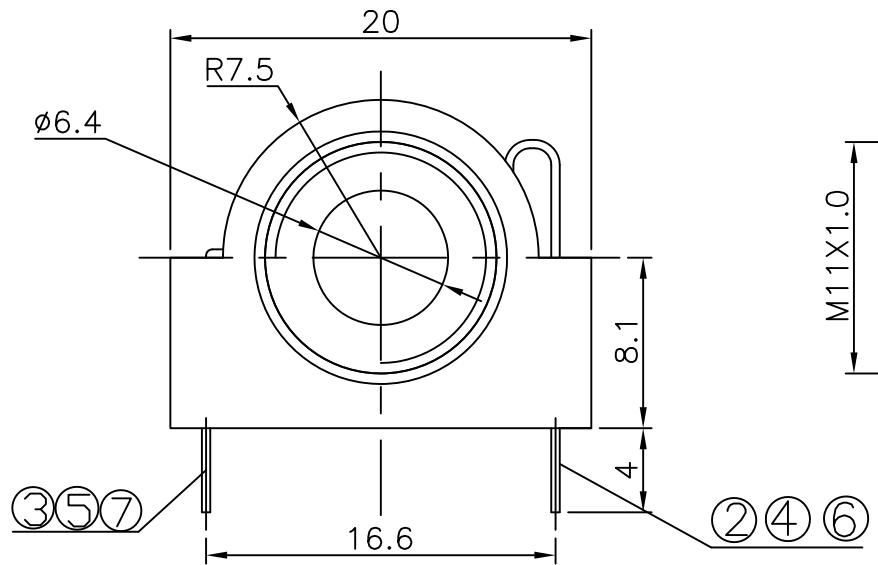


REV	DESCRIPTION	DATE
A	Initial Release	02.11.13



P/N	REMARK
PJ635-DP-28B-A	WITH NUT
PJ635-DP-28B	WITHOUT NUT

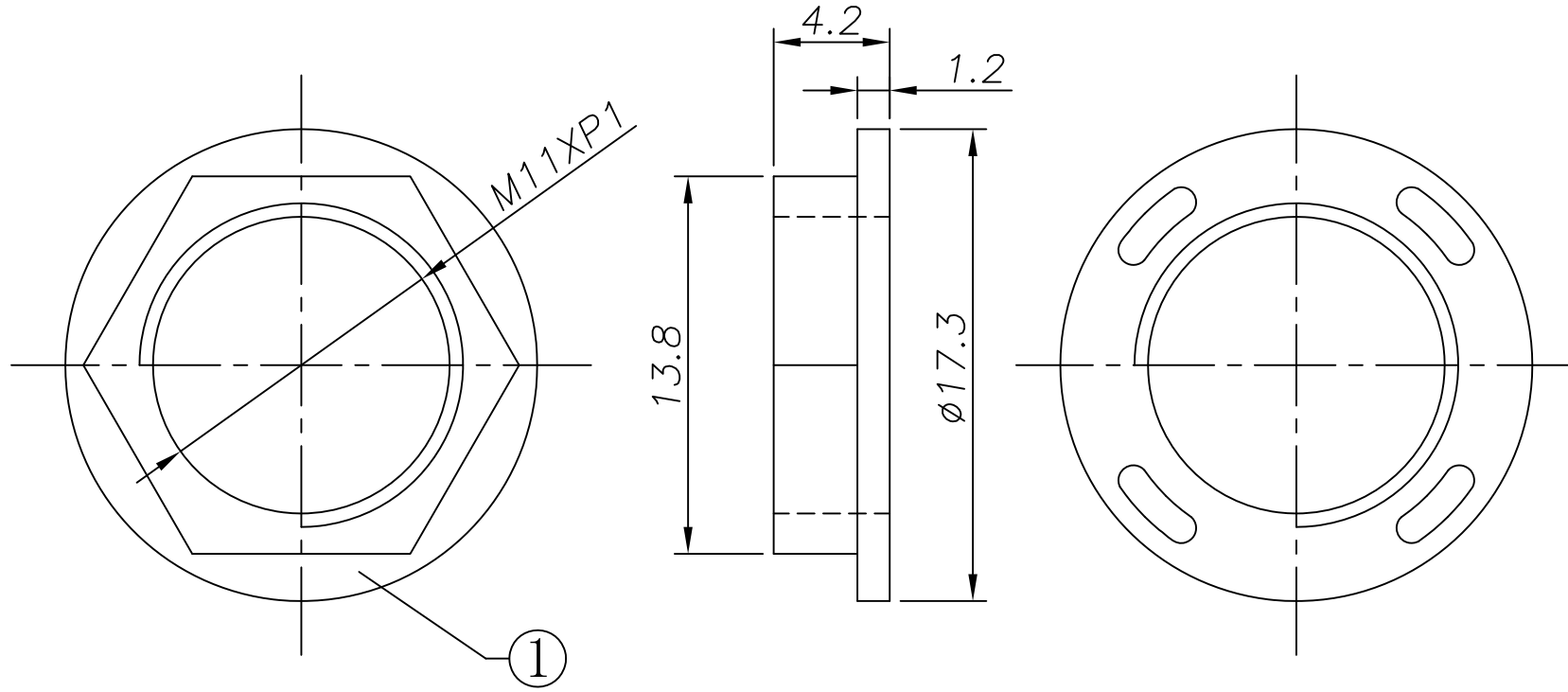
LEAD FREE

QTY	PART NAME	MATERIAL	REMARK
1	CONTACT FOOT	C2680	MB:Cu Ag PLATED
1	SPRING	C5191	MB:Cu Sn PLATED
1	CONTACT FOOT	C2680	MB:Cu Ag PLATED
1	SPRING	C5191	MB:Cu Sn PLATED
1	CONTACT FOOT	C2680	MB:Cu Ag PLATED
1	SPRING	C5191	MB:Cu Sn PLATED
1	HOUSING	PBT 4815	UL-94V0(BLACK)

T:1.6 Dimensions of PC board holes
Tolerance : ±0.1(Printed-top view)
UNLESS OTHERWISE SPECIFIED, TOLERANCE ON DECIMAL: ±0.3

PANSTRONG COMPANY LTD.		DRAWN BY		TOMMY
		CHECKED		
TITLE:		6.5MM PHONE JACK, DIP, R/A		APPROVED
PART NO:		PJ635-DP-28B		DRAWING NO.
SCALE		/	REV	A
UNIT	mm			


REV	DESCRIPTION	DATE
A	Initial Release	06'.08.11



LEAD FREE

1	SLEEVE NUT	1	PBT 4815	UL-94V0(BLACK)
LTR	PART NAME	QTY	MATERIAL	REMARK

UNLESS OTHERWISE SPECIFIED, TOLERANCE ON DECIMAL: ±0.3

 PANSTRONG COMPANY LTD.	DRAWN BY		TOMMY	
	CHECKED			
TITLE:	ACCESSORY NUT FOR PJ635-DP-28B			APPROVED
PART NO:	PJ635-DP-28B			DRAWING NO. 11-064-28
SCALE	/	REV	A	UNIT mm 