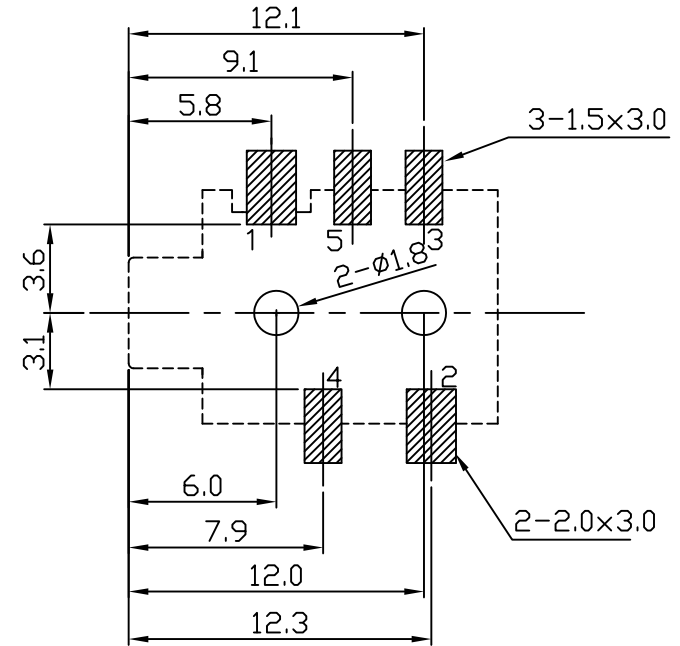
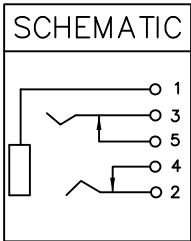


REV	DESCRIPTION	DATE
A	Initial Release	09'.03.11



T:1.6 Dimensions of PC board holes  
Tolerance : ±0.1(Printed-top view)



**LEAD FREE**

7	HOUSING	1	PA9T	UL-94V0(BLACK)
6	COVER	1	LCP	UL-94V0(BLACK)
5	TERMINAL	1	C2680 t=0.30	MB:Ni Ag PLATED
4	TERMINAL	1	C2680 t=0.30	MB:Ni Ag PLATED
3	SPRING TERMINAL	1	C5191 t=0.20	MB:Ni Ag PLATED
2	SPRING TERMINAL	1	C5191 t=0.20	MB:Ni Ag PLATED
1	CONTACT FOOT	1	C5191 t=0.30	MB:Ni Ag PLATED
LTR	PART NAME	QTY	MATERIAL	REMARK

UNLESS OTHERWISE SPECIFIED, TOLERANCE ON DECIMAL: ±0.2

<b>PANSTRONG COMPANY LTD.</b>		DRAWN BY		TOMMY
		CHECKED		
TITLE:		3.5MM PHONE JACK, SMT, R/A		APPROVED
PART NO:		PJ3.5-SM-12A		DRAWING NO.
SCALE	/	REV	A	UNIT mm