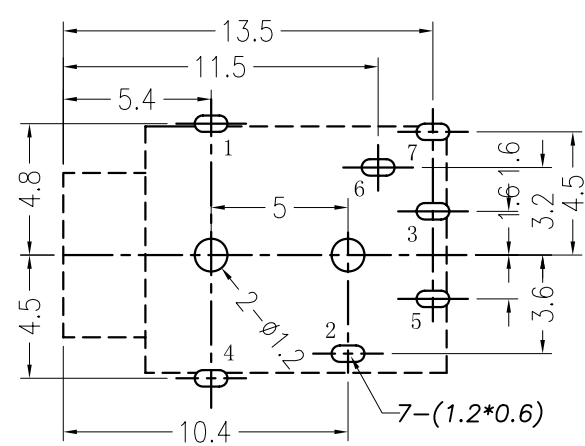
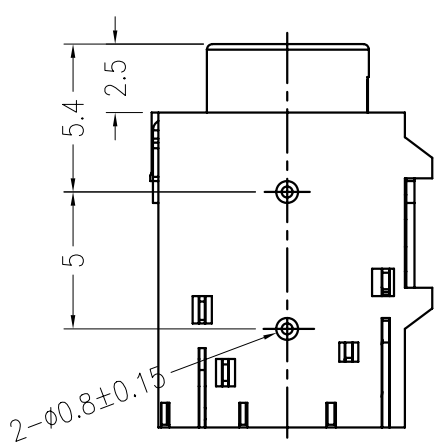
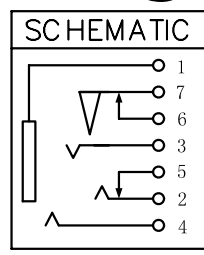
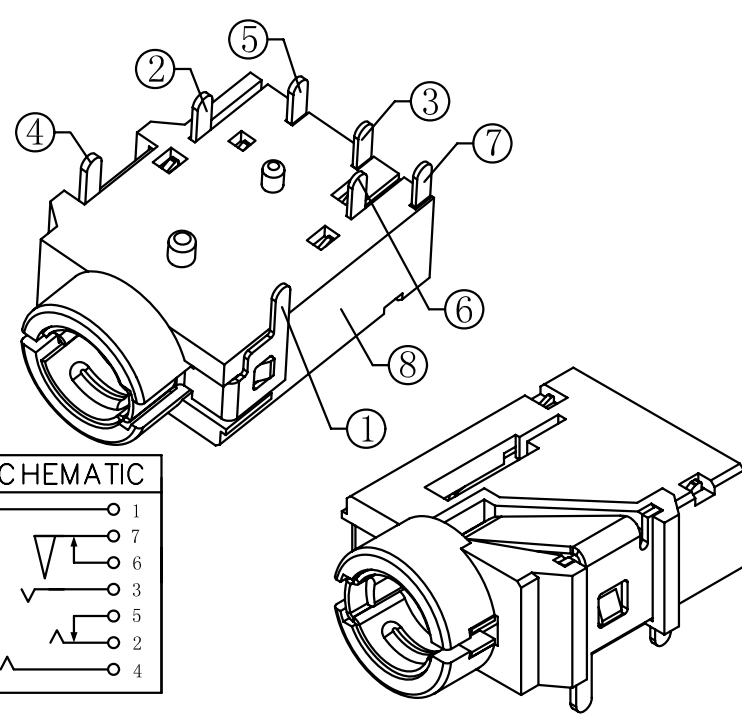
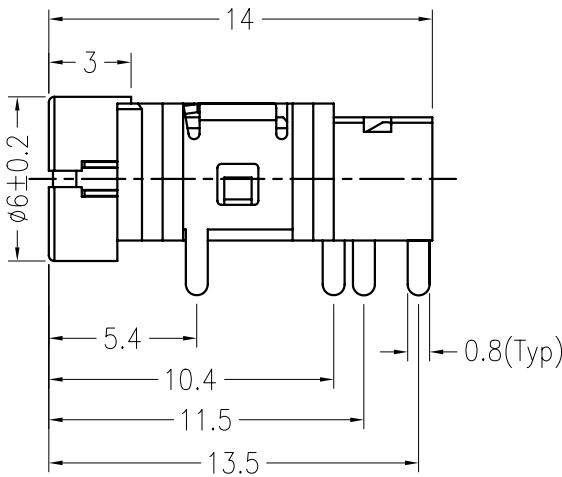
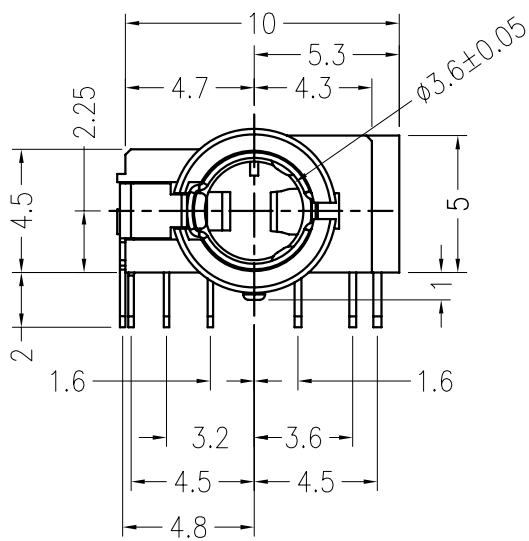


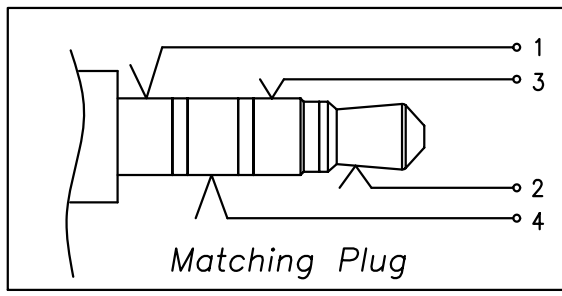
REV	DESCRIPTION	DATE
A	Initial Release	09.06.04
B	Drawings Update	16.03.16



T:1.6 Dimensions of PC board holes
Tolerance : ±0.1(Printed-top view)

LEAD FREE

8	HOUSING	1	PA9T	UL-94V0(BLACK)
7	TRANSFER TERMINAL ⑦	1	SUS301 t=0.20	MB:Ni Ag PLATED
6	BREAK TERMINAL ⑥	1	C2680 t=0.20	MB:Ni Ag PLATED
5	SHUNT TERMINAL ⑤	1	C2680 t=0.25	MB:Ni Ag PLATED
4	RING SPRING ④	1	C5191 t=0.30	MB:Ni Ag PLATED
3	RING SPRING ③	1	SUS301 t=0.20	MB:Ni Ag PLATED
2	TIP SPRING ②	1	C5191 t=0.25	MB:Ni Ag PLATED
1	EARTH SPRING ①	1	C5191 t=0.20	MB:Ni Gold Flash
LTR	PART NAME	QTY	MATERIAL	REMARK



MODEL NO.	HOUSING COLOR
PJ3.5-DP-47B	BLACK

UNLESS OTHERWISE SPECIFIED,
TOLERANCE ON DECIMAL:
±0.3

PANSTRONG COMPANY LTD.		DRAWN BY	TOMMY
		CHECKED	
TITLE:	3.5MM PHONE JACK, DIP, R/A		APPROVED
PART NO:	PJ3.5-DP-47B		DRAWING NO.
SCALE	/	REV	B
UNIT	mm		