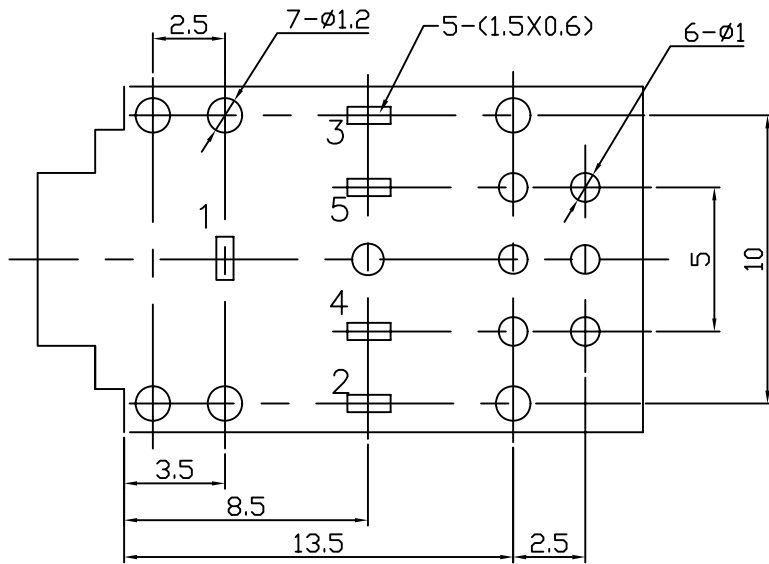
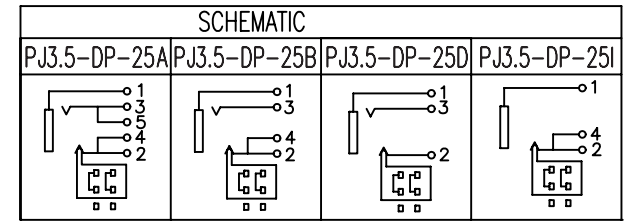
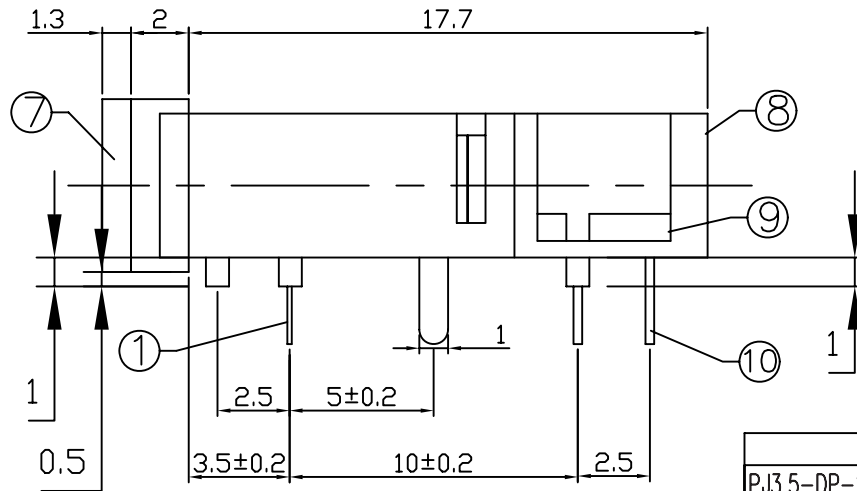
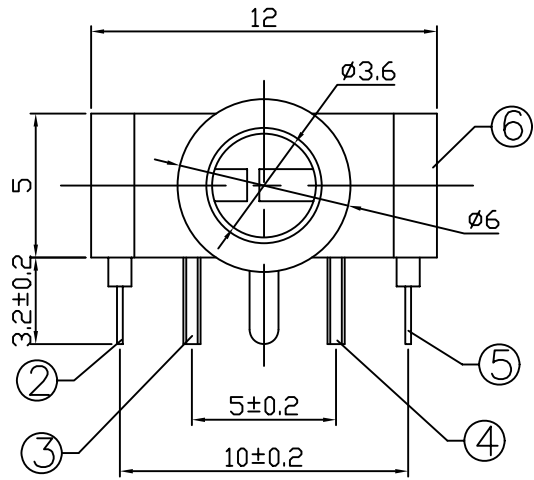


REV	DESCRIPTION	DATE
A	Initial Release	02.11.13



T:1.6 Dimensions of PC board holes
Tolerance : ±0.1(Printed-top view)

UNLESS OTHERWISE SPECIFIED, TOLERANCE ON DECIMAL:±0.3

LEAD FREE

10	CONTACT FOOT	6	C2680	MB:Cu Ag PLATED
9	SWITCH COVER	1	PF	
8	SWITCH HOUSING	1	PA66	
7	AXIS SUPPORT	1	C2680	MB:Cu Ni PLATED
6	HOUSING	1	PA66	
5	5# CONTACT FOOT	1	C2680	MB:Cu Ag PLATED
4	4# CONTACT FOOT	1	C2680	MB:Cu Ag PLATED
3	3# CONTACT FOOT	1	C2680	MB:Cu Ag PLATED
2	2# CONTACT FOOT	1	C2680	MB:Cu Ag PLATED
1	1# CONTACT FOOT	1	C5191	MB:Cu Sn PLATED
LTR	PART NAME	QTY	MATERIAL	REMARK

	PANSTRONG COMPANY LTD.			DRAWN BY	TOMMY
				CHECKED	
TITLE:		3.5MM PHONE JACK, DIP, R/A		APPROVED	
PART NO:		PJ3.5-DP-25X		DRAWING NO.	
SCALE	/	REV	A	UNIT	mm

