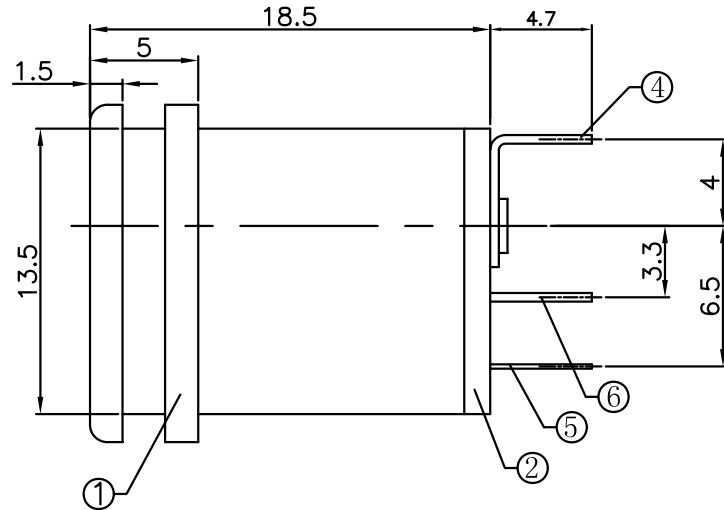
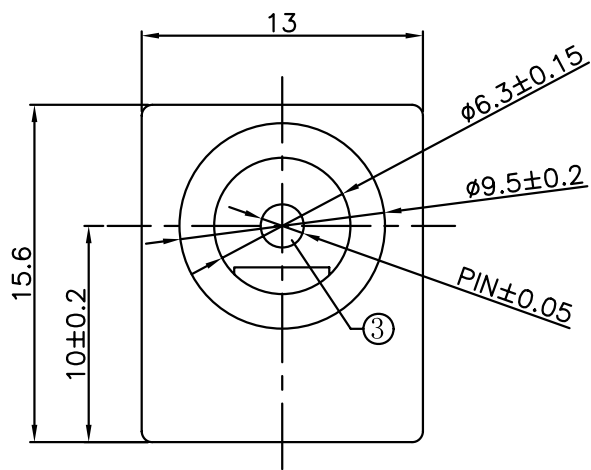
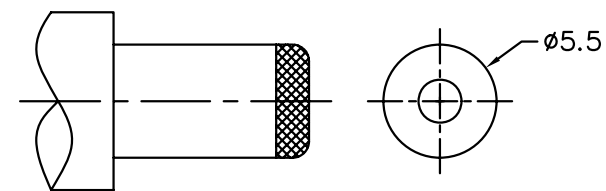


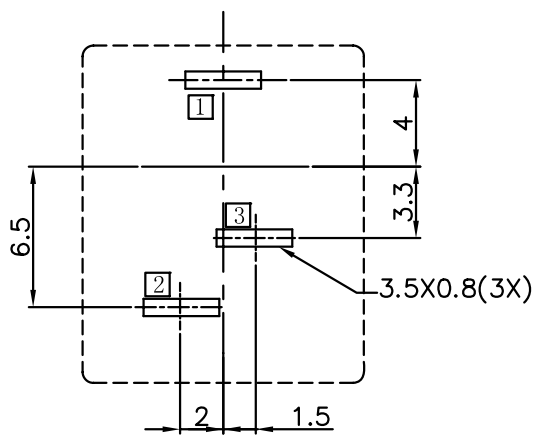
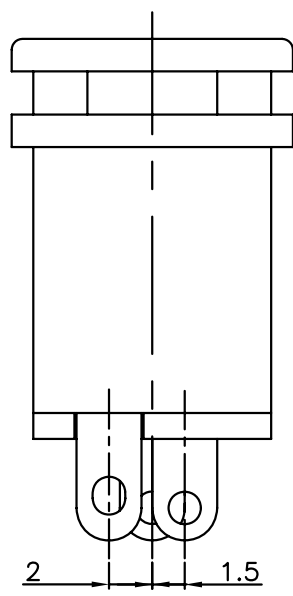
REV	DESCRIPTION	DATE
A	Initial Release	13.10.21



PIN	SCHEMATIC	
	DJ-020-DP107A	DJ-020-DP107B
Ø2.0		
Ø2.5		



DC MATE PLUG



T:1.6 Dimensions of PC board holes  
Tolerance : ±0.1(Printed-Top view)

### LEADFREE

6	Shunt terminal	<input checked="" type="checkbox"/>	1	Copper alloy	MB:Cu	Sn	PLATED
5	Tip spring	<input checked="" type="checkbox"/>	1	Manganese steel	MB:Cu	Sn	PLATED
4	Center pin terminal	<input type="checkbox"/>	1	Copper alloy	MB:Cu	Sn	PLATED
3	Center pin		1	Copper alloy	MB:Cu	Ni	PLATED
2	Cover		1	PF			
1	Housing		1	Thermoplastic	UL 94V-0		Black
LTR	PART NAME		QTY	MATERIAL	REMARK		



PANSTRONG COMPANY LTD.

DRAWN BY TOMMY

CHECKED

TITLE: DC POWER JACK

APPROVED

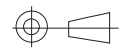
PART NO: DJ-020-DP-107X

DRAWING NO.

SCALE

REV A

UNIT mm



UNLESS OTHERWISE SPECIFIED,  
TOLERANCE ON DECIMAL:  
±0.3