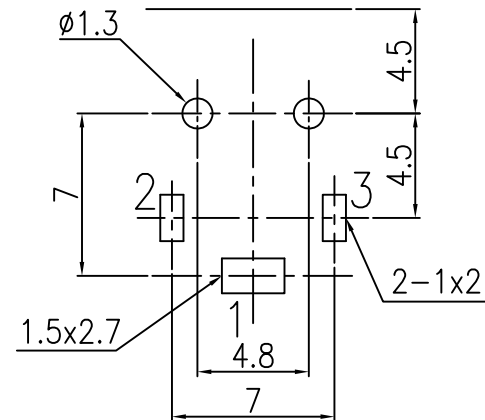
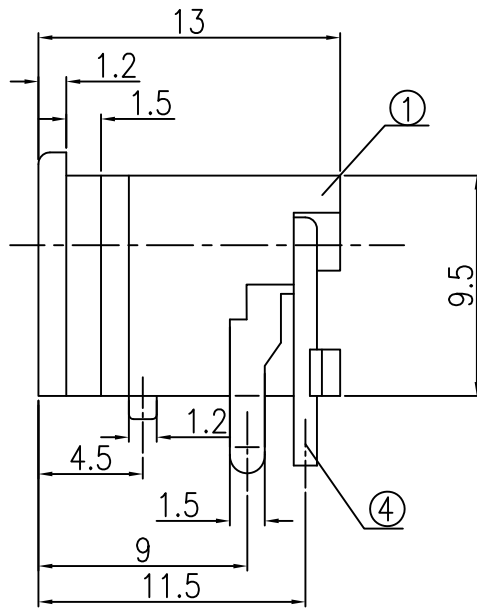
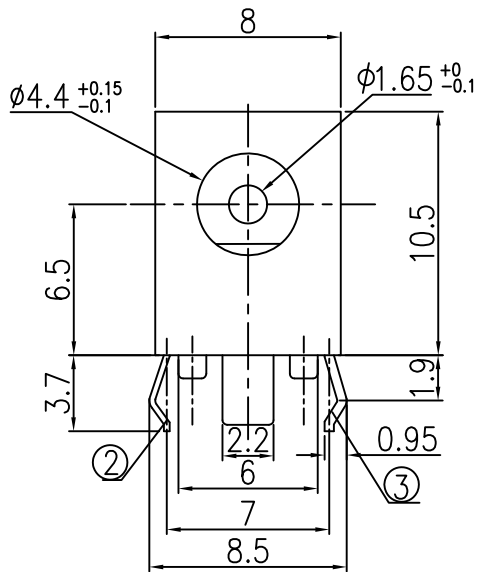
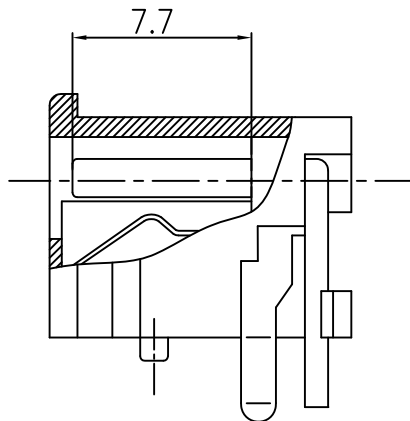
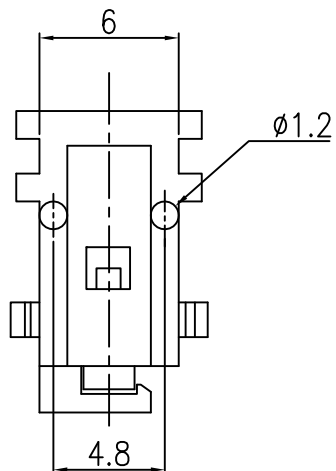


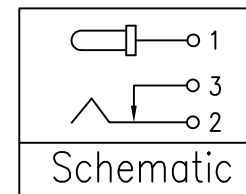
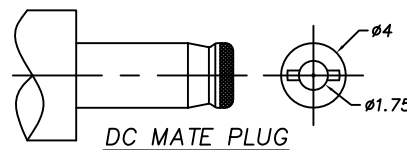
REV	DESCRIPTION	DATE
A	Initial Release	12.07.18



T:1.6 Dimensions of PC board holes
Tolerance : ±0.1(Printed-Bottom view)



Detail Section



LEAD FREE

LTR	PART NAME	QTY	MATERIAL	REMARK
4	PIN	1	C2680 ϕ 1.65	MB:Ni Ag PLATED
3	SHUNT SPRING	1	C2680 t=0.4	MB:Ni Ag PLATED
2	SPRING	1	C5191 t=0.25	MB:Ni Ag PLATED
1	HOUSING	1	PBT 4815	UL-94V0(BLACK)

UNLESS OTHERWISE SPECIFIED,
TOLERANCE ON DECIMAL:
±0.3

PANSTRONG COMPANY LTD.				DRAWN BY		TOMMY			
				CHECKED					
TITLE:				DC POWER JACK					
PART NO:				DJ-020-DP-58					
SCALE				/		REV		A	
UNIT		mm		APPROVED		DRAWING NO.			