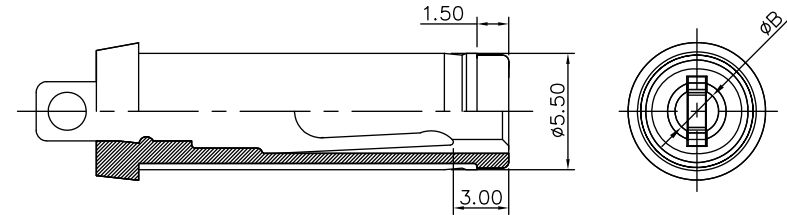
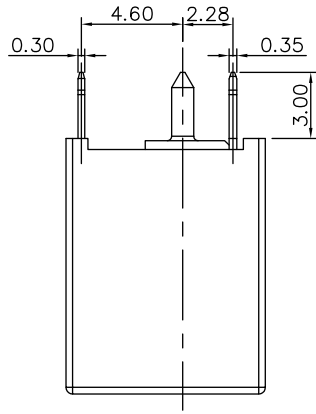


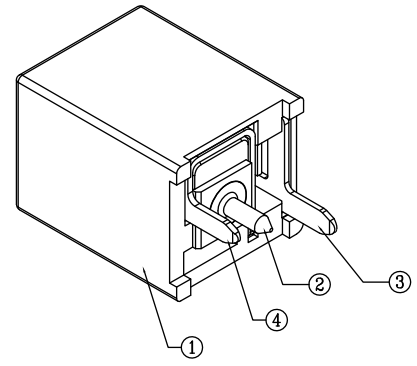
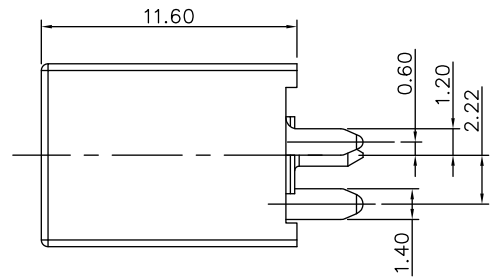
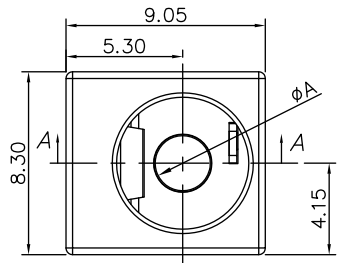
REV A	DESCRIPTION Initial Release	DATE 18.06.21
----------	--------------------------------	------------------



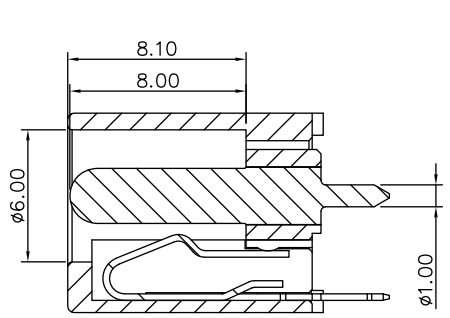
RECOMMENDED PLUG
ø5.5 PLUG

SPECIFICATION

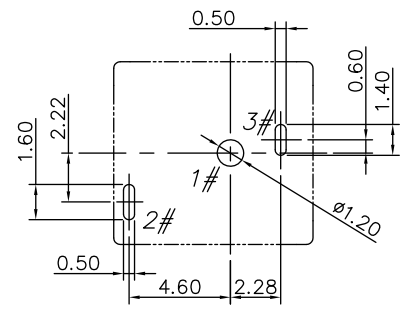
1. Rating : DC 16V , 2.0A
2. Contact resistance : $\leq 30m\Omega$
3. Insulation resistance : $\geq 100M\Omega$
4. Withstand voltage : 500VAC
5. Insertion and extraction force : 3-30N
6. life test : 5,000 cycles



MODEL NO.	DJ-020-DP-75
SCHMATIC	
CENTER PIN	ø1.65mm
	ø2.00mm
	ø2.50mm



SECTION A-A



P.C.B LAYOUT
TOP VIEW

④	CONTACT PIN	1	COPPER ALLOY		Ni Plating
③	SHUNT CONTACT	1	COPPER ALLOY		Tin Plating
②	TIP SPRING	1	COPPER ALLOY		Tin Plating
①	HOUSING	1	PA10T	BLACK	
NO.	DESCRIPTION	QTY	MATERIAL	COLOR	REMARK



TOLERANCE UNLESS OTHERWISE STATED:
Up to 5 ±0.2
Above 5 - 15 ±0.3
Above 15 - 30 ±0.4
Above 30 - 50 ±0.5
Angle ±0.3

PANSTRONG COMPANY LTD.				DRAWN BY		TOMMY	
				CHECKED			
TITLE:		DC JACK DIP TYPE		APPROVED			
PART NO:		DJ-020-DP-75		DRAWING NO.			
SCALE		1:1	REV	A	UNIT	mm	