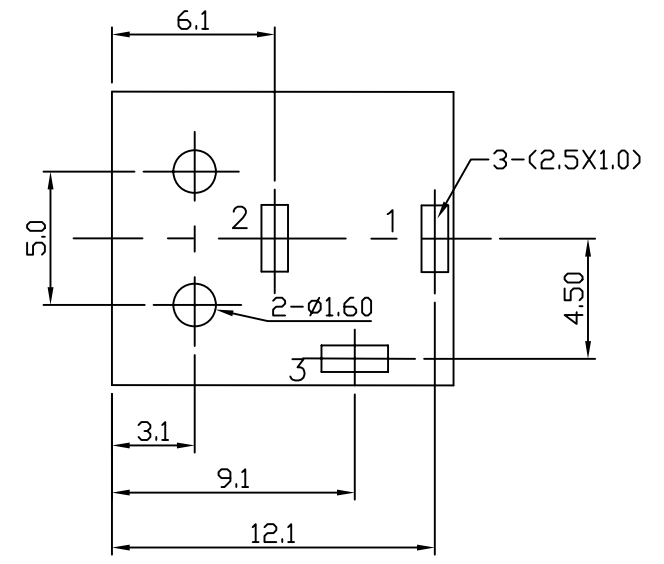
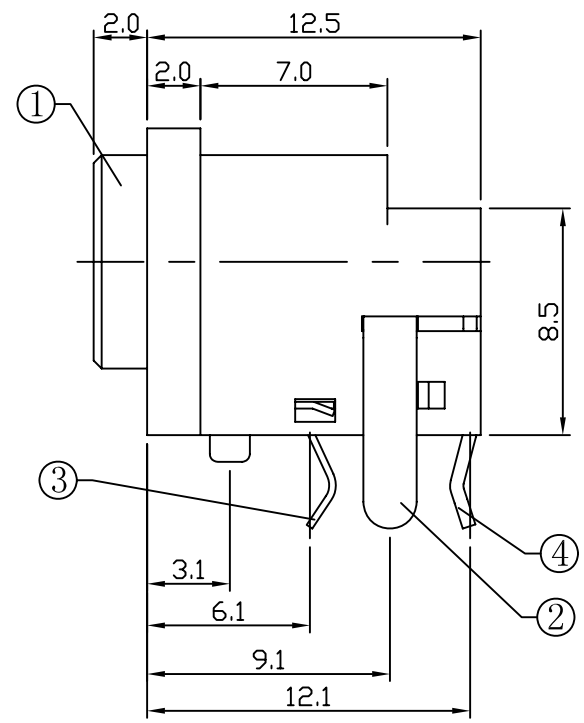
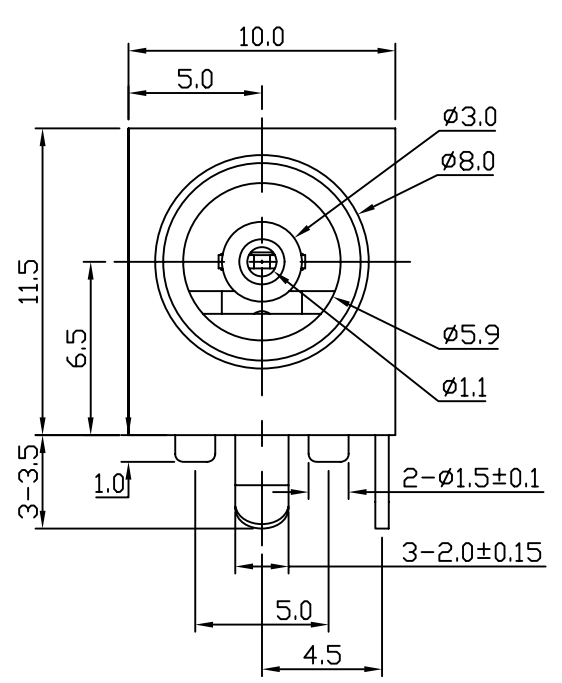
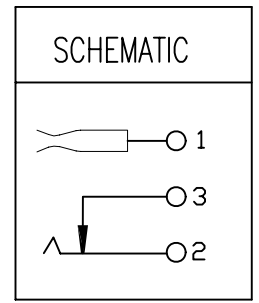
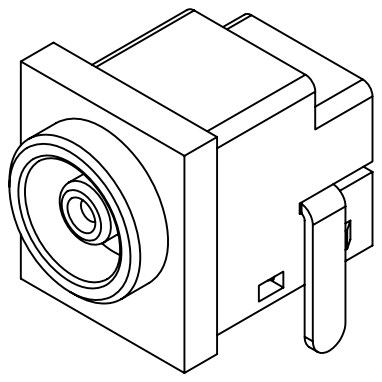


REV	DESCRIPTION	DATE
A	Initial Release	06:01:13



T:1.6 Dimensions of PC board holes
Tolerance : ±0.1(Printed-top view)



LEAD FREE

LTR	PART NAME	QTY	MATERIAL	REMARK
4	CONTACT FOOT	1	C5191	MB:Ni Sn PLATED
3	SPRING	1	C5191	MB:Ni Sn PLATED
2	CURVE PIECE	1	C2680	MB:Ni Sn PLATED
1	HOUSING	1	PBT 4815	UL-94V0(BLACK)

PANSTRONG COMPANY LTD.				DRAWN BY		TOMMY
				CHECKED		
TITLE:		DC Power Jack, Central 1.1, Through Hole, Right Angle.		APPROVED		
PART NO:		DJ-020-DP-20A		DRAWING NO.		
SCALE		/	REV	A	UNIT	mm

UNLESS OTHERWISE SPECIFIED, TOLERANCE ON DECIMAL: ±0.3