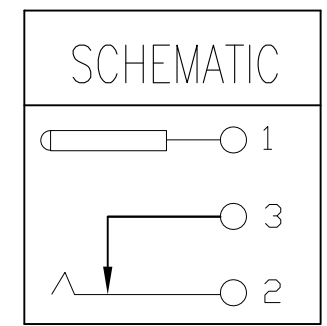
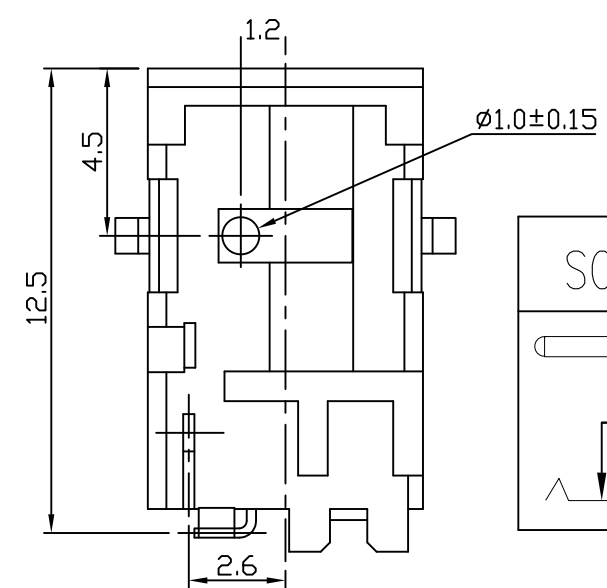
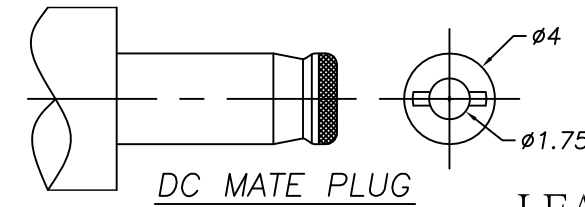
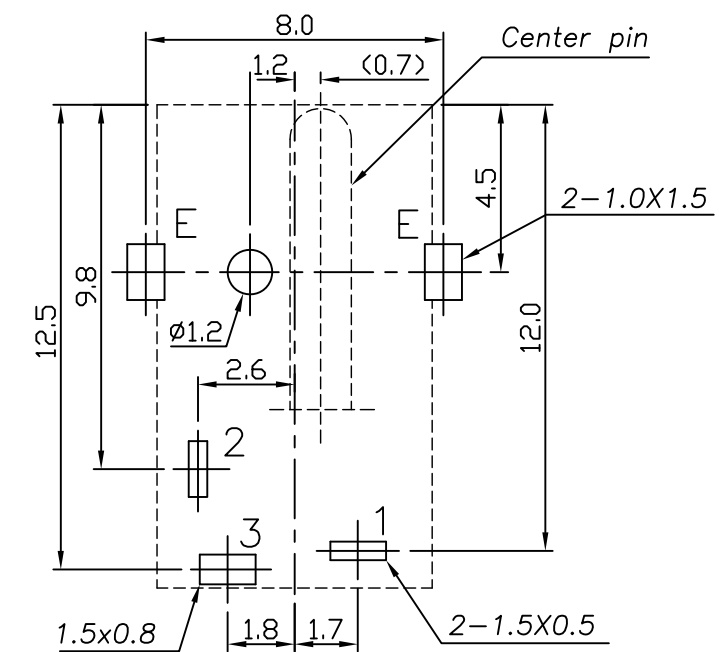
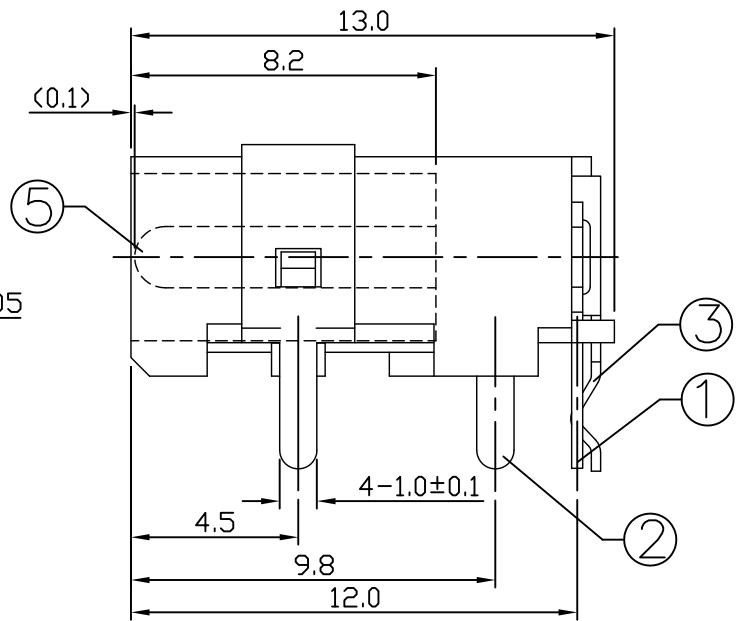
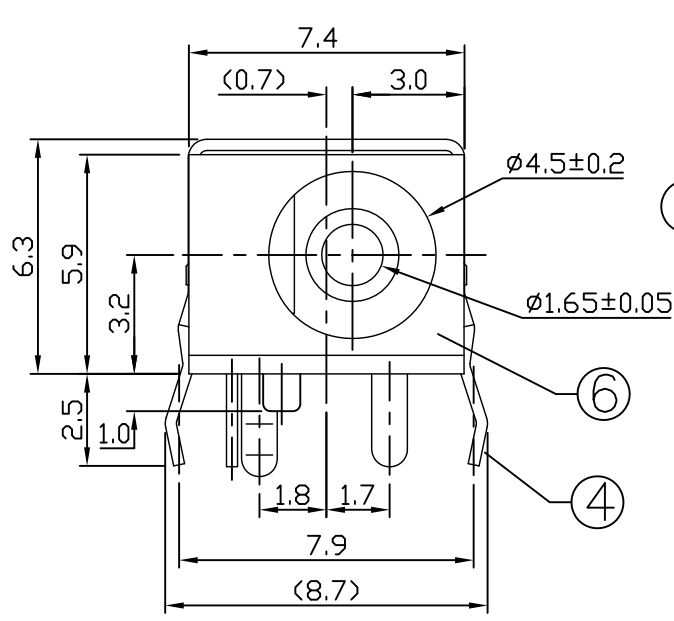


REV	DESCRIPTION	DATE
A	Initial Release	06.01.13



T:1.6 Dimensions of PC board holes  
Tolerance : ±0.1(Printed-Bottom view)

LEAD FREE

6	HOUSING	1	PBT 4815	UL-94V0(BLACK)
5	PIN	1	H59(COPPER ALLOY)	MB:Cu Ni PLATED
4	CONTACT FOOT	1	C2680 t=0.30	MB:Ni Ag PLATED
3	CURVE PIECE	1	C2680 t=0.25	MB:Ni Ag PLATED
2	SPRING	1	C5191 t=0.30	MB:Ni Ag PLATED
1	FLAT PIECE	1	C2680 t=0.30	MB:Ni Ag PLATED
LTR	PART NAME	QTY	MATERIAL	REMARK

PANSTRONG COMPANY LTD.		DRAWN BY	TOMMY
		CHECKED	
TITLE:	DC POWER JACK		APPROVED
PART NO:	DJ-020-26M		DRAWING NO.
SCALE	/	REV	A
UNIT	mm		

UNLESS OTHERWISE SPECIFIED, TOLERANCE ON DECIMAL: ±0.3