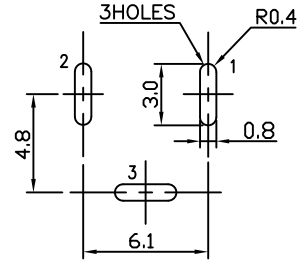
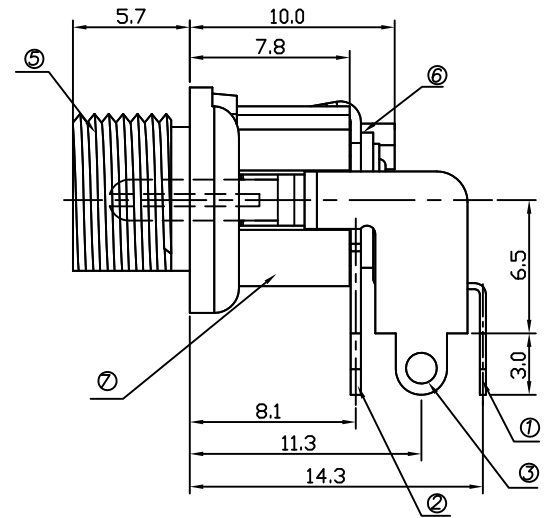
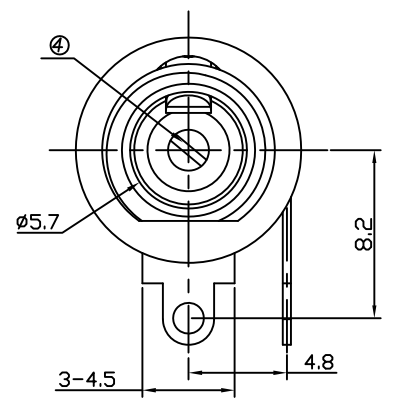
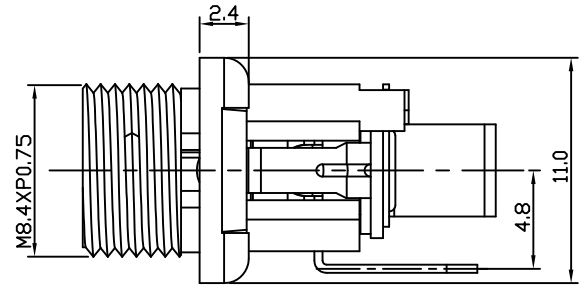
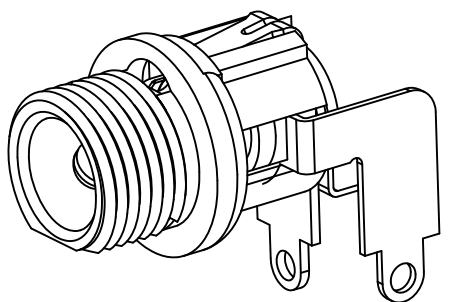


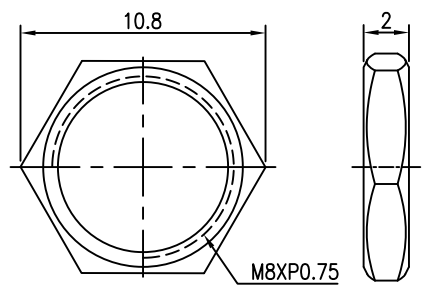
REV	DESCRIPTION	DATE
A	Initial Release	06'.01.03
B	PCB Layout Dim. Rev.	10'.01.15
C	Drawing Renew	14'.02.21



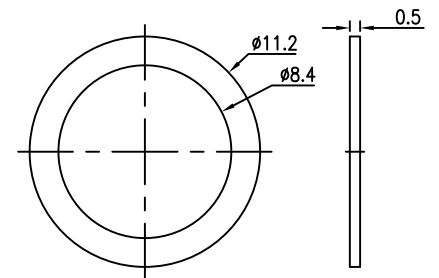
T:1.6 Dimensions of PC board holes
Tolerance : ±0.1(Printed-bottom view)

PART NO.	PIN	SCHEMATIC
DJ-020-DP-66MA (w/o ACCESSORIES)		
DJ-020-DP-66MA-A (w/ ACCESSORIES)	ø2.0	

OPTIONAL ACCESSORIES



1	NUT	1	H59(COPPER ALLOY)	Ni	PLATED
LTR	PART NAME	QTY	MATERIAL	REMARK	



1	Washer	1	H59(COPPER ALLOY)	Ni	PLATED
LTR	PART NAME	QTY	MATERIAL	REMARK	

UNLESS OTHERWISE SPECIFIED,
TOLERANCE ON DECIMAL:
±0.3

LEAD FREE

7	HOUSING	1	PBT 4815	UL-94V0(BLACK)
6	INSULATOR	1	PF	
5	AXIS SUPPORT	1	C2680	MB:Cu Ni PLATED
4	PIN	1	C2680	MB:Cu Ni PLATED
3	SHUNT TERMIANL	1	C2680	MB:Cu Sn PLATED
2	TIP SPRING	1	C5191	MB:Cu Sn PLATED
1	CENTER PIN TERMINAL	1	C2680	MB:Cu Sn PLATED
LTR	PART NAME	QTY	MATERIAL	REMARK

	PANSTRONG COMPANY LTD.		DRAWN BY	TOMMY
			CHECKED	
TITLE:		DC POWER JACK		APPROVED
PART NO:		DJ-020-DP-66MA		DRAWING NO.
SCALE		/	REV	C
UNIT	mm			