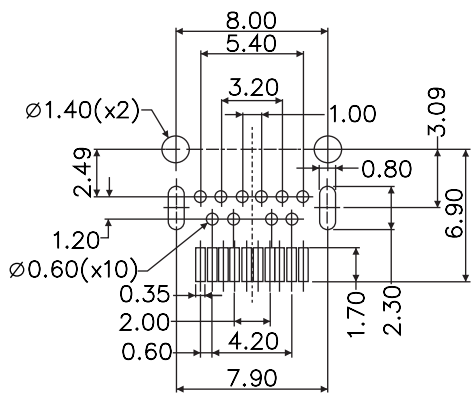
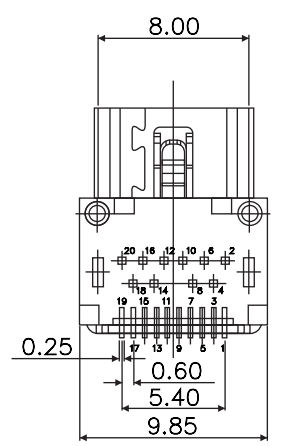
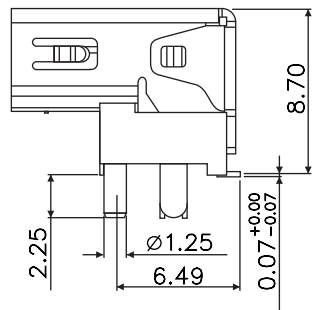
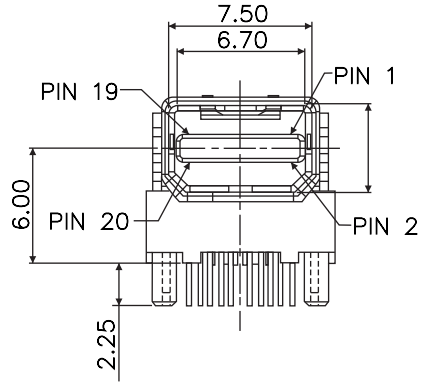
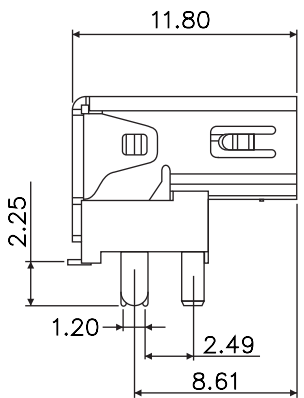
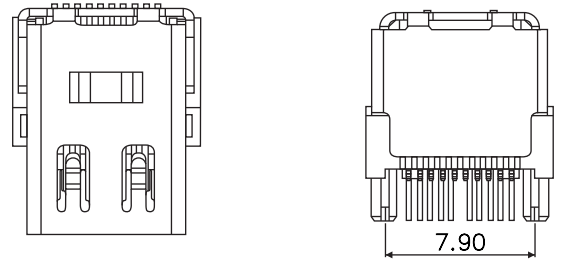


REV	DESCRIPTION	DATE
A	Initial Release	15.06.19



P.C.B LAYOUT (T=1.60mm)
VIEW BOTTOM(tolerance±0.05)

NOTES:

1. MATERIAL
 - 1.1 HOUSING: HI-TEMP PLASTIC (UL94-V-0), BLACK
 - 1.2 CONTACT: COPPER ALLOY(T=0.20), PLATING: GOLD PLATED ON CONTACT AREA, TIN PLATED ON SOLDER TAILS, UNDER NICKEL PLATED.
 - 1.3 SHELL: BRASS(T=0.40), PLATING: NICKEL PLATED.
 - 1.4 SPRING SHELL: STAINLESS SUS304 T=0.20mm
 - 1.5 COVER: HI-TEMP, PLASTIC(UL94V-0) BLACK,
2. SPECIFICATION:
 - 2.1 CURRENT RATING: 0.5A
 - 2.2 CONTACT RESISTANCE: 30mΩ MAX.
 - 2.3 DIELECTRIC WITHSTANDING VOLTAGE: 500V AC R.M.S FOR ONE MINUTE.
 - 2.4 INSULATION REISTANCE: 100MΩ MIN AT 500V DC.
 - 2.5 OPERATING TEMPERATURE: -25° TO +85°.
 - 2.6 DURABILILITY: 10000 CYCLES.
 - 2.7 MATING FORCE: 4.5KG MAX.
 - 2.8 UNMATING FORCE: 1.0KG MIN

PART NO.

MDP	31	R	-	20	F	K	xx	R	-	C
1	2	3		4	5	6	7	8		

1. MDP: Mini Display Port
2. 31: SMT and Dip Combination Pins
3. R: Right Angle
4. Connector Positions: 20
5. Connector Type: Female
6. Insulator Color:
 - K: Black
7. Contact Plating:
 - 03: Gold Flash over Nickel
 - 15: 15u" Gold over Nickel
 - 30: 30u" Gold over Nickel
8. Package:
 - R: Tape & Reel

PANSTRONG COMPANY LTD.				DRAWN BY		TOMMY							
				CHECKED		TOMMY							
TITLE:		MINI DP RECEPTACLE				APPROVED		CAROL					
PART NO:		MDP-31R-20FKxxR-C				DRAWING NO.							
SCALE		/		REV		A		UNIT		mm			