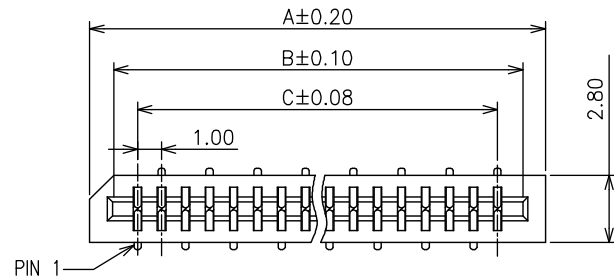


REV	DESCRIPTION	DATE
A	Initial Release	12.08.13



Material:

- 1.1 Housing: thermoplastic high temp. UL94V-0; Color: Black.
- 1.2 Terminal: Copper Alloy.

Electrical:

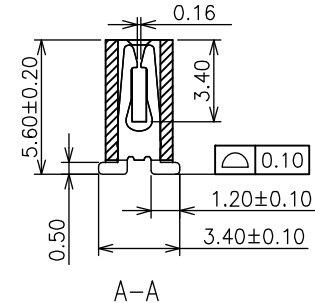
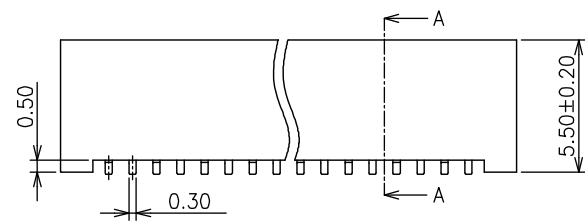
- 2.1 Current Rating: 1.0 AMP.
- 2.2 Dielectric Withstanding Voltage: 500V AC MIN.
- 2.3 Insulation Resistance: 500MΩ MIN.
- 2.4 Contact Resistance: 30mΩ MAX.

Order Information: FPxxH56-C03SKUNA-T R

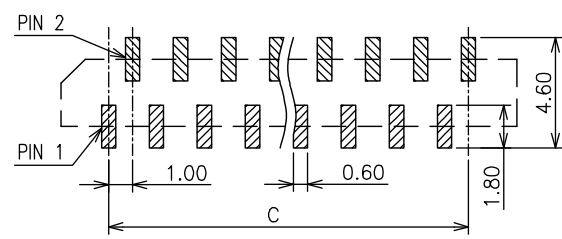
Contact Poles
02...36

Package:
T PVC Tube
R: Tape & Reel
M: T&R with Mylar

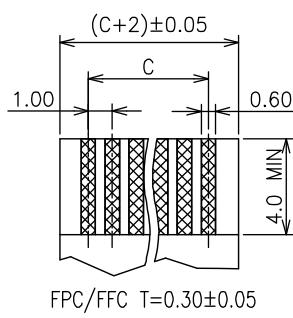
Contact Plating
Blank : Tin Plated
G : Flash Gold Plated



PIN NO.	DIM. A	DIM. B	DIM. C
2~N~36	N+3.0	N+1.1	N-1.0



RECOMMENDED PCB LAYOUT



PANSTRONG COMPANY LTD.

DRAWN BY	TOMMY
CHECKED	TOMMY

TITLE: 1.0mm non-ZIF FPC SMT VERTICAL CONNECTOR

APPROVED CAROL

PART NO: FPxxH56-C03SKUNA-TR

DRAWING NO.

SCALE 1:1 REV A

UNIT	mm	
------	----	--

tolerances	
linear	angles
.x ±0.20	x' ±5°
.xx ±0.15	.x' ±2°
.xxx ±0.10	.xx' ±1°