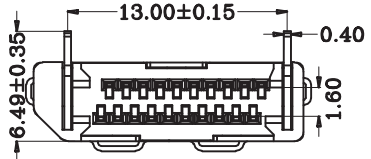
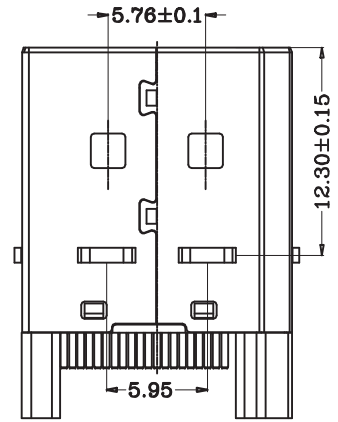
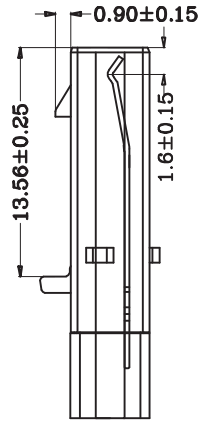
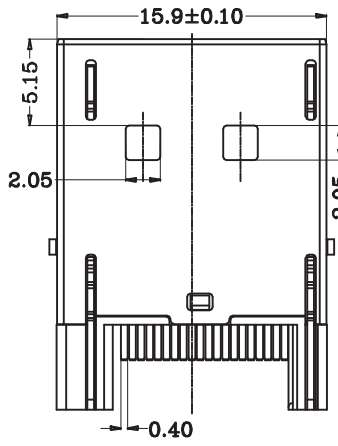
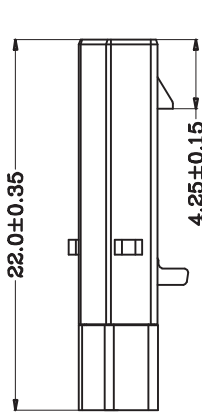
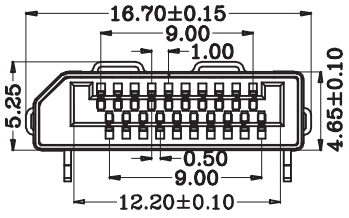


REV	DESCRIPTION	DATE
A	Initial Release	17.06.13



Mechanical:

Mating: 44.1N max.
 Withdrawal Force: 50N min. (with latch)
 Durability: 10000 cycles min.

Electrical:

Current-max[amps]: 0.5 A
 Voltage-max[volts]: 40V AC (rms)
 Withstanding Voltage: 500V AC FOR 1 MINUTE.
 Contact Resistance [ohms]: 30mΩ max.
 Insulation Resistance [ohms]: 100MΩ min.

Environmental:

Temperature Range: -55°C -85°C

Part Number:

DP05S-20MK**N
 1 2 3 4 5 6

1. Display port, slot type, straight
2. No. of contact
20 : 20 Positions
3. Connector Type
M: Male
4. Insulator Color
K: Black
5. Contact Gold Plating
1u"~30u"
6. Shell
Nickel Or Au Over all plating

General Tolerance		Angle Tolerance	
.X	±0.35	.X°	±1.0°
.XX	±0.25	.XX°	±0.5°
.XXX	±0.20	.XXX°	±0.2°

PANSTRONG COMPANY LTD.				DRAWN BY		TOMMY	
				CHECKED			
TITLE:				DisplayPort Male 20P, Straddle Board Solder with Latches on the Shell			
PART NO:				DP05S-20MKxxN			
SCALE				1:1	REV	A	
UNIT		mm					