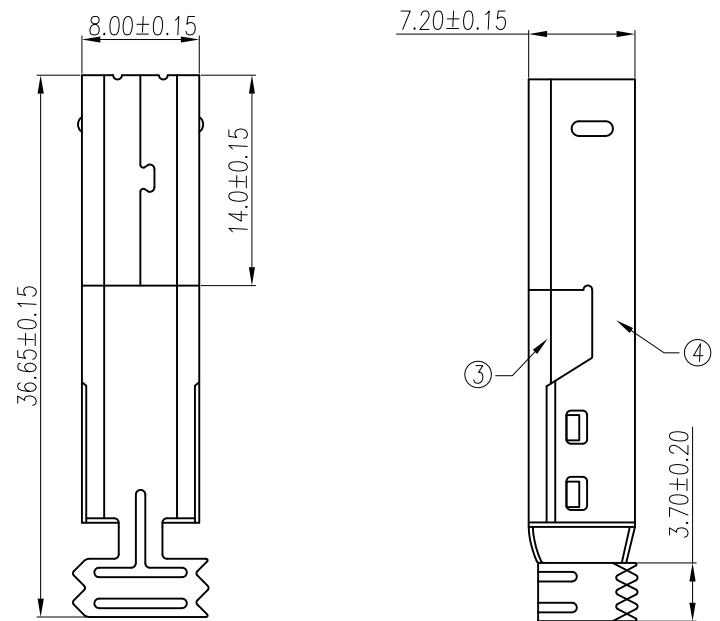
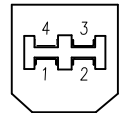
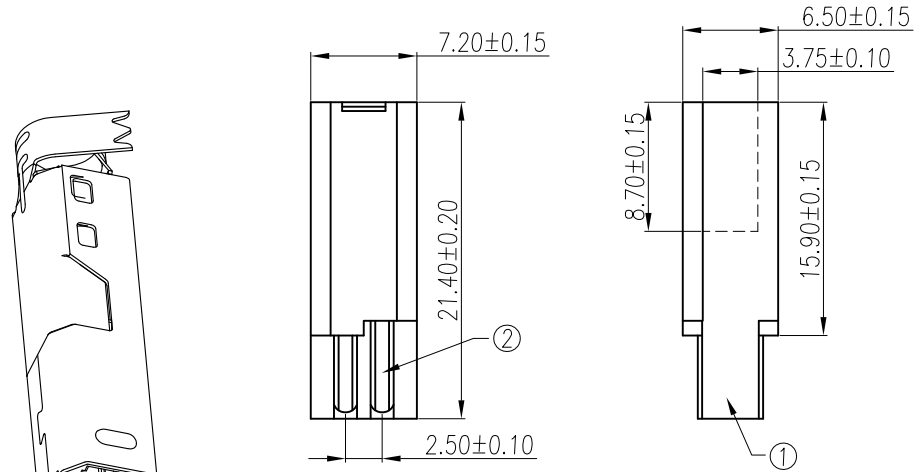


ROHS Compliant

REV A	DESCRIPTION Initial Release	DATE 06.12.07
----------	--------------------------------	------------------



Specification:

1. Current rating: 1.5 A Max.
2. Voltage Rating: 30V AC (RMS)
3. Dielectric withstanding voltage: 500 V(ac) for 1 minute.
4. Contact resistance: 30 mΩ Max.
5. Insulation resistance: 1000 MΩ Min at DC 500V.
6. Temperature range: -55°C~+105°C

PART NO.
USB13-4M * * *
1 2 3

1. Insulator Color:
W: White
K : Black
2. Contact Plating:
01: Flash Gold
30: 30u" Gold
3. Shell Plating:
J: Nickel

No.	Name	Q'ty	Material	Remarks & Thickness	Finish
4	Back-shell	1	Cold rolled steel	T=0.30mm	Cu:40u"min. 80u"min Nickel Plated
3	Front-shell	1	Cold rolled steel	T=0.30mm	Cu:40u"min. 80u"min Nickel Plated
2	Contact	4	Brass	T=0.20mm	Contact area:0.8u"min Gold Plated over 40u"Nickel min. Solder area:80u"min.Tin Plated over 40u"Nickel min.
1	Housing	1	P.B.T	UL 94-V0	Black/Ivory

TOLERANCE UNSPECIFIED	
.x	±0.3
.xx	±0.20
.xxx	±0.100
AVG.	±1'

PANSTRONG COMPANY LTD.				DRAWN BY		TOMMY			
				CHECKED		TOMMY			
TITLE:				USB B TYPE PLUG Wire Solder for Molding					
PART NO:				USB13-4M**					
SCALE				1:1		REV		A	
UNIT		mm		APPROVED		CAROL			
DRAWING NO.				DRAWING NO.		DRAWING NO.			
UNIT		mm		APPROVED		CAROL			