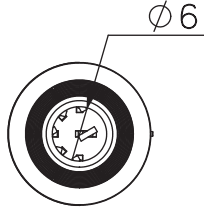
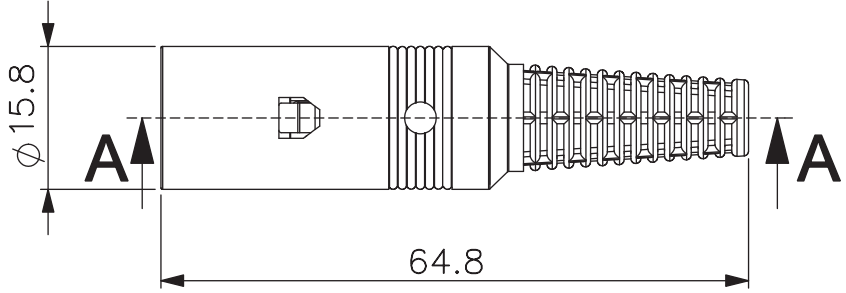
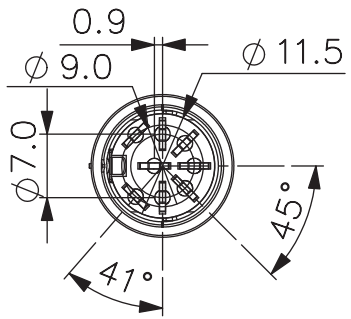
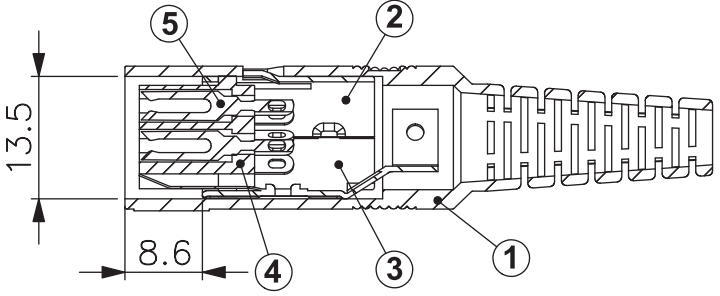


REV	DESCRIPTION	DATE
A	Initial Release	07'.01.23



Specifications
rating:
100V AC 1A MAX
contact resistance:
pins-30mΩ MAX; shell-50mΩ MAX
insulation resistance:
MIN 100 MEGΩ @500V DC
voltage withstand:
250V AC R.M.S. for 1 minute



5	Contact Terminals	Brass	Silver Ptd.	8
4	8P262 Housing	ABS		1
3	Shield Cover B	Steel	Nickel Ptd.	1
2	Shield Cover A	Steel	Nickel Ptd.	1
1	Shell Cover 6.0	EVA+LLDPE		1
NO.	Description	Material	Traet	Q'ty

TOLERANCE	
.X	+/-0.25
.XX	+/-0.10

PANSTRONG COMPANY LTD.		DRAWN BY		TOMMY
		CHECKED		
TITLE:		8P262 DIN CABLE JACK ASS'Y TYPE		
PART NO:		DN8F01KN2-AE		
SCALE		1:1	REV	A
UNIT	mm			
APPROVED		DRAWING NO. DN8F01KN2AE132B		