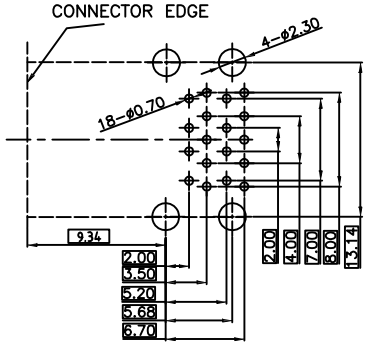
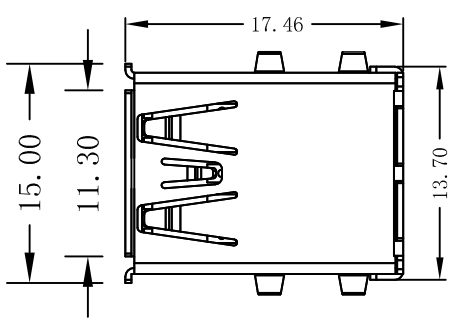


REV	DESCRIPTION	DATE
A	Initial Release	10.04.12

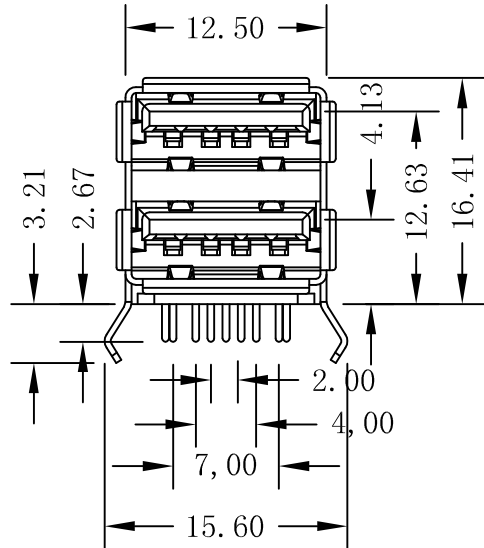
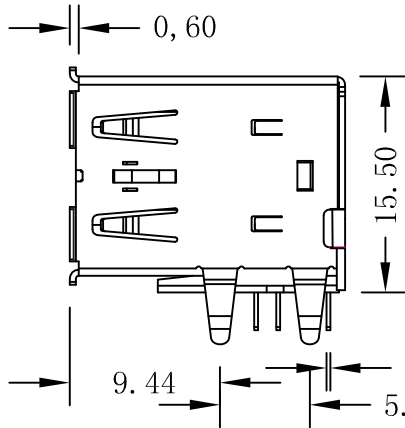


P.C.B. LAYOUT (COMPONENT SIDE)  
DEFAULT TOLERANCE: ±0.05

1. Material:
- 1.1 Housing: PBT+30%G/F, BLUE UL94V-0.
  - 1.2 Shell: BRASS C2680R-H.
  - 1.3 Contact: PHOSPHOR BRONZE C2680/C5191
2. FINISH:
- 2.1 CONTACT Plate with Gold 15U" Plate
  - 2.2 shell: Nickel 80U" (MIN) Plate
3. Specification:
- 3.1 Dielectric withstanding voltage: 100V (AC).
  - 3.2 Contact resistance: 50mΩ Max
  - 3.3 Insulation resistance: 100MΩ Min

PART NO. UB3 A R01 - 9 F x 2 B xx J0  
 1 2 3 4 5 6

1. Type: A or B
2. No. of Contact: 9 Positions
3. F: Socket
4. Insulator Color: B: Blue
5. Contact Plating:
- 01: Selective Gold Flash
  - 03: 3u" Selective Gold
  - 15: 15u" Selective Gold
  - 30: 30u" Selective Gold
6. Shell Plating:
- J: Nickel



Tolerance unless otherwise specified

x. ± 0.50	x' ± 5'
xx ± 0.30	xx' ± 2'
xxx ± 0.20	xxx' ± 0.5'
xxxx ± --	

PANSTRONG COMPANY LTD.				DRAWN BY		TOMMY	
				CHECKED			
TITLE:		USB 3.0 A Receptacle				APPROVED	
PART NO:		UB3AR01-9Fx2BxxJ0				DRAWING NO. USB3-AD90-XD5	
SCALE		2:1	REV	A	UNIT	mm	