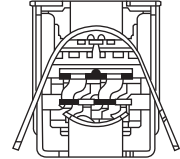
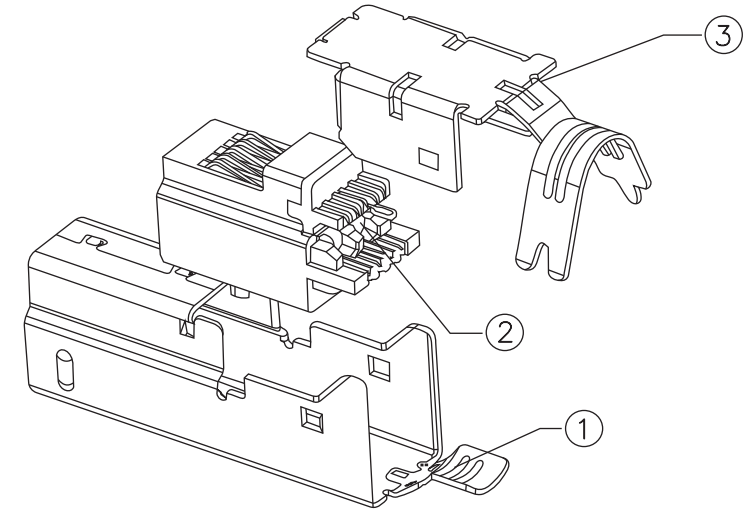
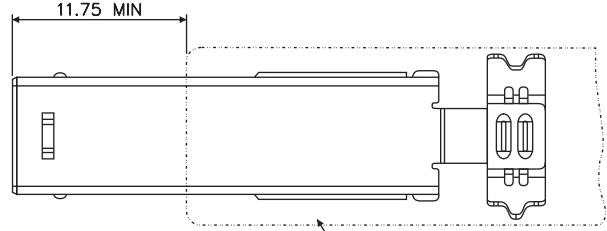
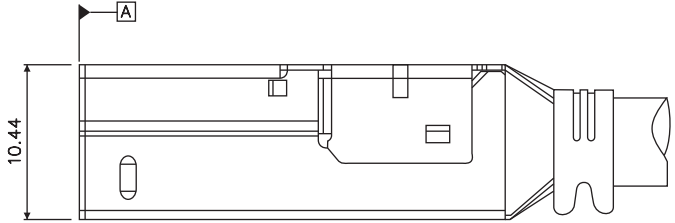
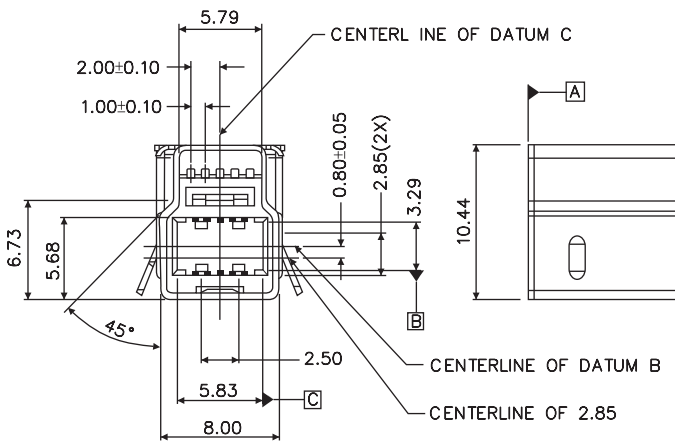
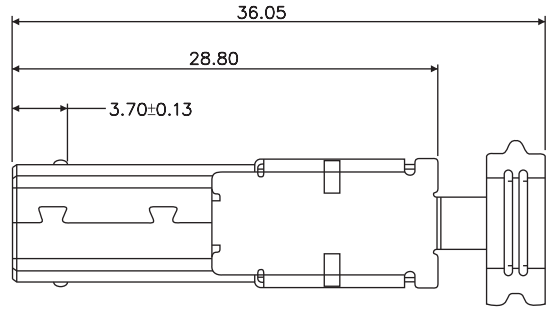


REV	DESCRIPTION	DATE
A	Initial Release	09'.08.17



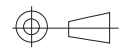
Electrical Characteristics:

Voltage Rating	30V AC
Current Rating	1.8 AMP
Insulation Resistance	100MΩ Min.
Contact Resistance	30mΩ Max.
Dielectric Withstanding Votage	100V AC
Temperature Range	-55°C to +85°C

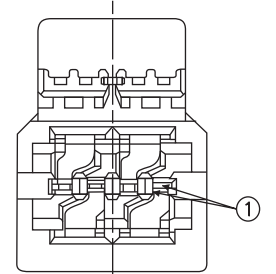
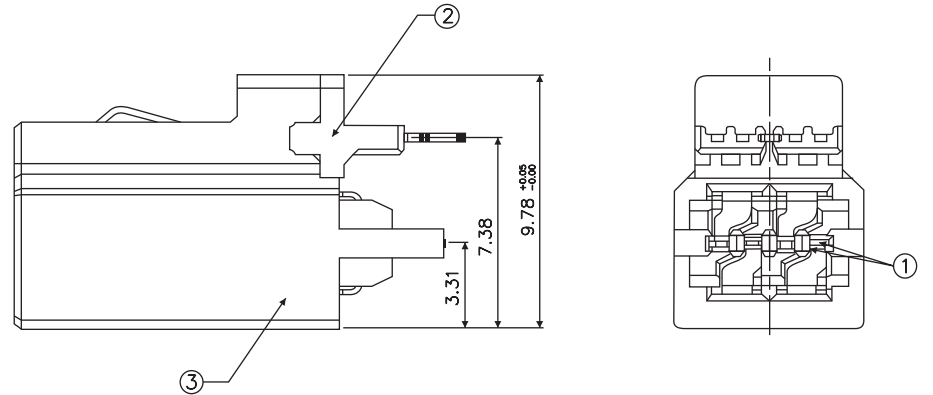
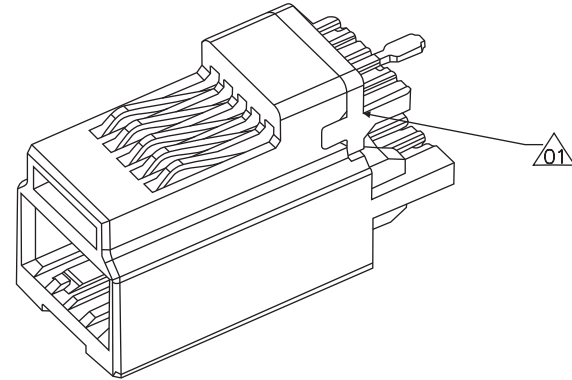
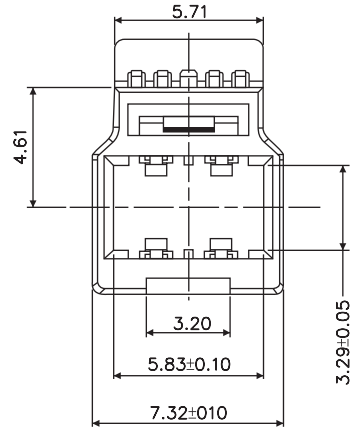
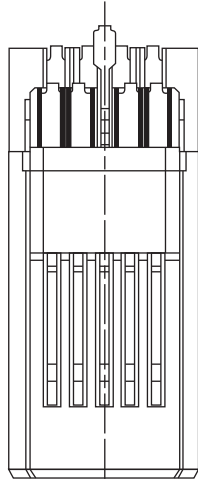
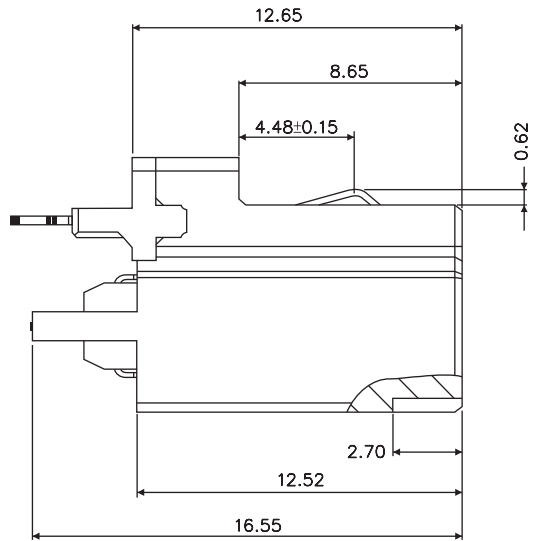
ITEM	DESC/MATERIAL	PART	REMARKS
3	COVER SHELL	1	
2	HOUSING+TERMINAL	1	
1	MAIN SHELL	1	

TOLERANCES
DIM. ±0.30
ANGLE: ±3°

PANSTRONG COMPANY LTD.				DRAWN BY		TOMMY	
				CHECKED			
TITLE: USB 3.0-STANDARD B/M/SOLDER ASSEMBLY CONNECTOR				APPROVED			
				DRAWING NO.		BK3-A003	
PART NO:		UB3B11-9MBxxxx		UNIT		mm	
SCALE		/		REV		A	



REV	DESCRIPTION	DATE
A	Initial Release	09'.08.17



PART NO.

UB3B11 - $\frac{9}{1}$ $\frac{M}{2}$ $\frac{B}{3}$ $\frac{xx}{4}$ $\frac{x}{5}$ $\frac{x}{6}$ $\frac{x}{7}$

1. Type: A or B
2. No of Contact: 9 Positions
3. M: Plug
4. Insulator Color: B: Blue
5. Contact Plating:
 - 01: Selective Gold Flash
 - 03: 3u" Selective Gold
 - 15: 15u" Selective Gold
 - 30: 30u" Selective Gold
6. Shell Plating:
 - J: Nickel
 - G: Gold Flash
7. Housing Material
 - A: LCP
 - B: PET



PANSTRONG COMPANY LTD.

DRAWN BY TOMMY

CHECKED

TITLE:

USB 3.0-STANDARD
B/M/SOLDER
ASSEMBLY CONNECTOR

APPROVED

PART NO:

UB3B11-9MBxxxx

DRAWING NO.

BK3-A003

SCALE

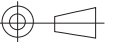
/

REV

A

UNIT

mm



TOLERANCES
DIM. ±0.30
ANGLE: ±3°