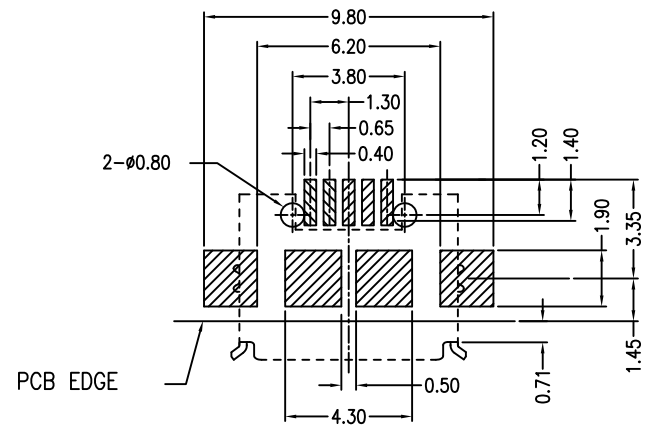
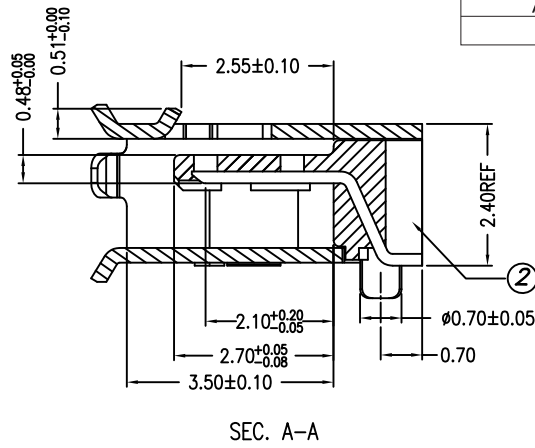
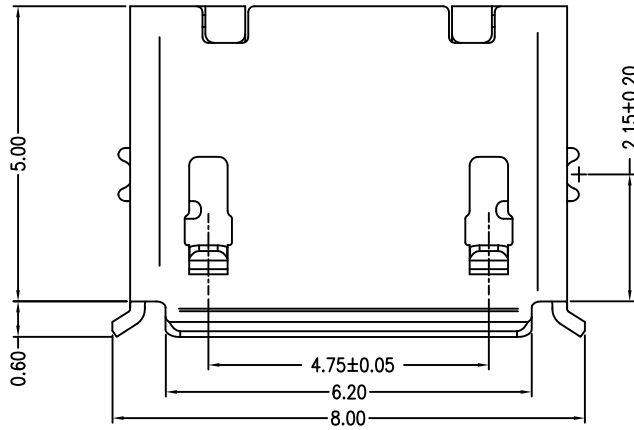
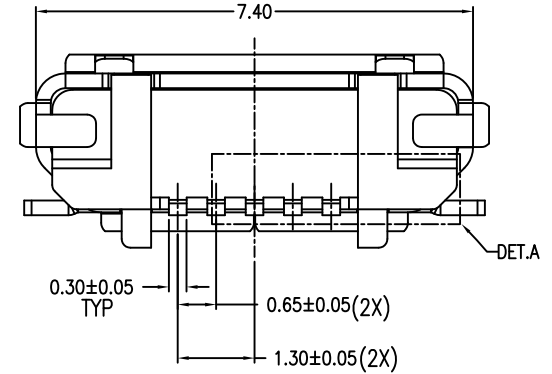
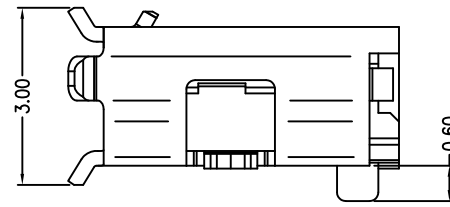
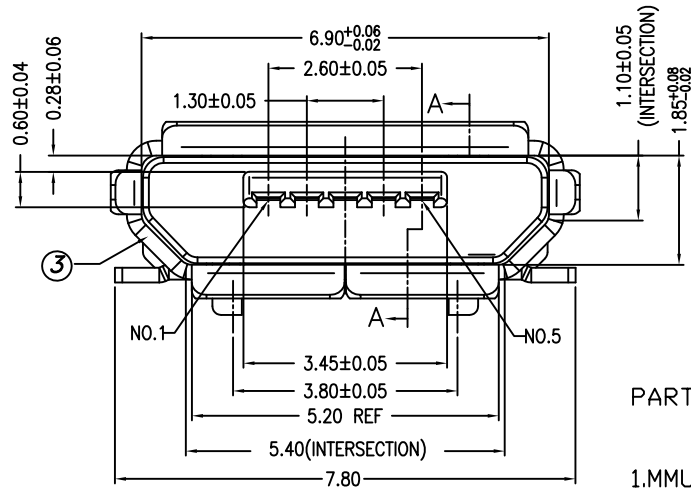


REV	DESCRIPTION	DATE
A	Initial Release	07'.06.05

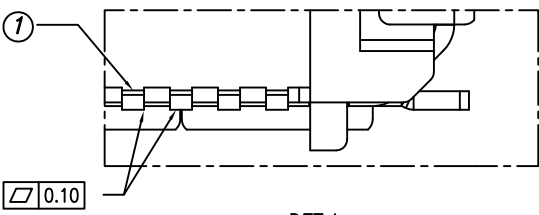


PCB LAYOUT
COMPONENT SIDETOLERANCE:±0.05



PART NO. MMUBR03 - 5 F K 30 R B
1 2 3 4 5 6 7

- 1.MMUBR03:Micro USB B T Type, SMT, R/A
- 2.No. of Contact:5 Positions
- 3.F:Receptacle
- 4.Insulator Color:K:Black
- 5.Contact Gold Plating
30:30u" Gold
- 6.Package:R:Tape & Reel
- 7.Plastic Pegs
Blank:with
B:without



DET.A
SCALE 10:1

ROHS COMPLIANT

TOLERANCES
DIM. ±0.30
ANGLE: ±3'

ITEM	DESC.	MATERIAL	REMARKS
3	SHELL	STAINLESS STEEL, T=0.25	40u" NICKEL OVER PLATED
2	HOUSING	HIGH TEMPERATURE THERMOPLASTICS	COLOR:BLACK
1	CONTACT	COPPER ALLOY,T=0.20	CONTACT AREA:Au30u" SOLDER AREA:Au 3u"

PANSTRONG COMPANY LTD.				DRAWN BY		TOMMY	
				CHECKED			
TITLE:		MICRO USB-C/F/SMT		APPROVED			
PART NO:		MMUBR03-5FK30R		DRAW NO			
File Number:							
SCALE	5:1	REV	A	UNIT	mm		