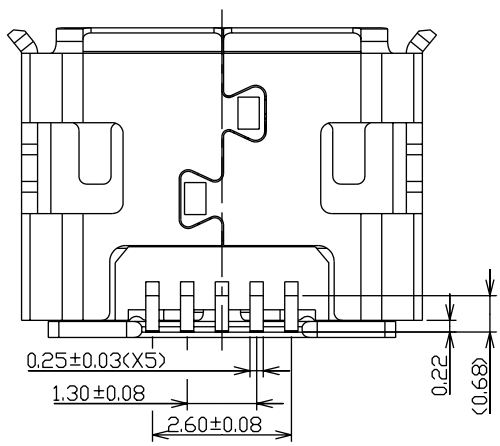
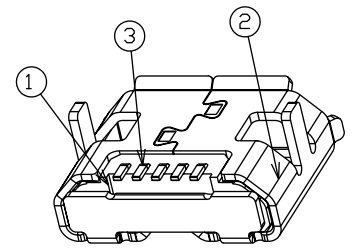
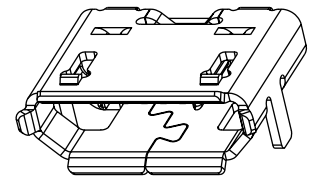
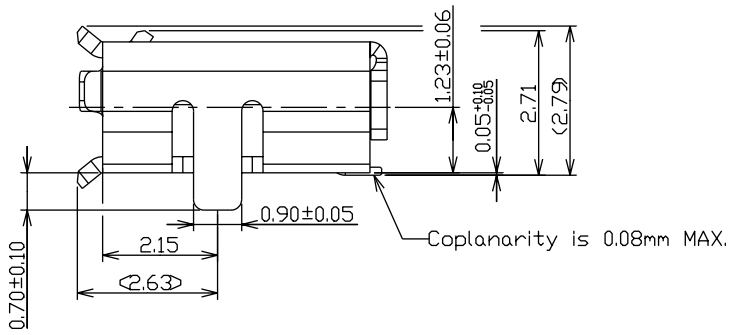
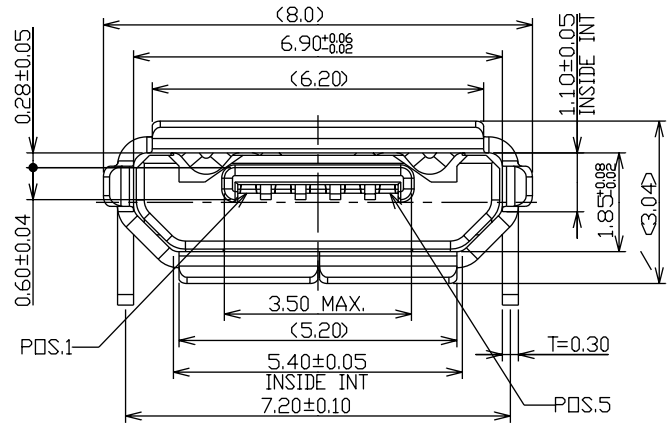
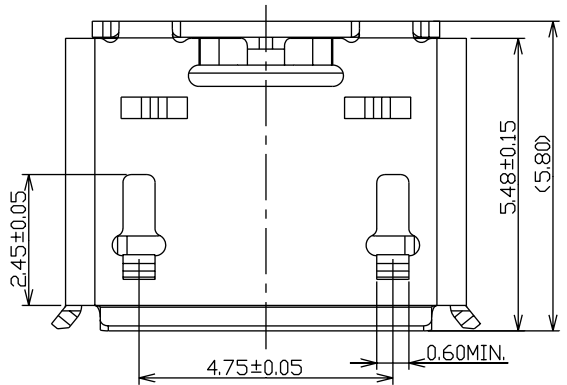


REV.	DESCRIPTION	DATE
F	X2,MX1,AX1	02/23/12'



3	CONTACT	5	T-MUC41-10X00	COPPER ALLOY/SEE PRODUCT NUMBER
2	SHELL	1	S-MUC42-10X00	STAINLESS STEEL/TIN PLATED
1	HOUSING	1	MUC41-5XX0XS	HI TEMP. G.F
ITEM	NAME	Q'TY	PART #	MATERIAL / FINISH



PANSTRONG COMPANY LTD.

DRAWN BY TOMMY

CHECKED

APPROVED

DRAWING NO. C-MUC42-00-00

TITLE: MICRO USB B TYPE CONNECTOR RECEPTACLE R/A SMT TYPE

PART NO: MMUBR03T-5FK30

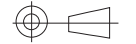
SCALE

10:1

REV

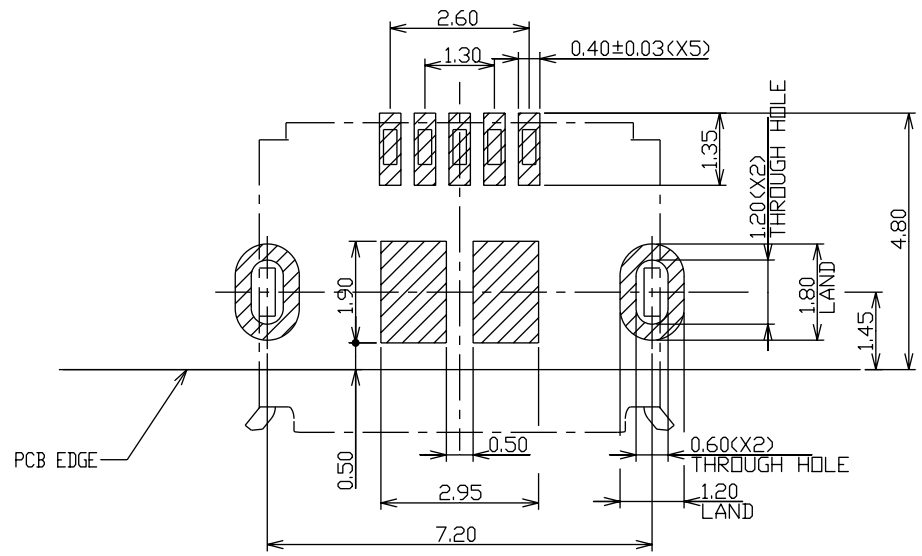
F

UNIT mm



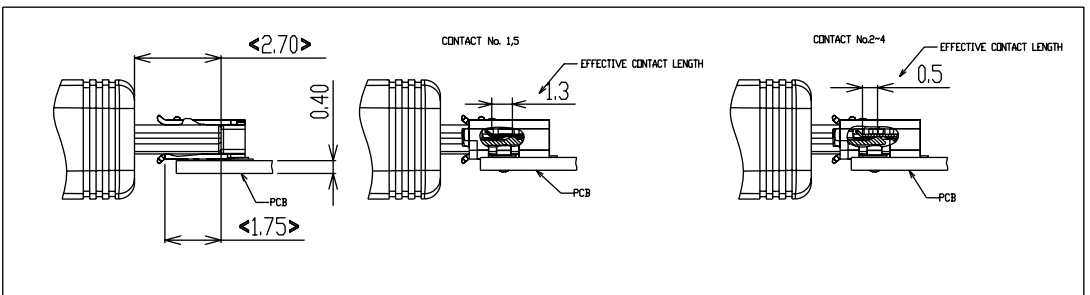
TOLERANCES UNLESS OTHERWISE SPECIFIED	
GENERAL	XX 0.25
	XX 0.15
	XXX 0.05
ANGLES	XX 0.05
	XX 0.10

REV.	DESCRIPTION	DATE
F	X2,MX1,AX1	02/23/12'



RECOMMENDED PCB LAYOUT TOLERANCE ±0.05mm

MATING VIEW



- 1.0 Electrical Specification:
- 1.1 Contact Resistance:
 - Initial: 30Ωm Maximum.
 - After Duribility: Change(detail)of+10mΩ
 - 1.2 Isulation Resistance:
 - Initial: 100MΩ Minimum
 - After testing: 100MΩ Minimum.
 - 1.3 Dielectric Withstanding Voltage:
 - 100V AC for one minute.
- 2.0 Mechanical Specification:
- 2.1 Mating Force:
 - Initial: 35N Maximum
 - After durability: 35N Maximum
 - 2.2 Unmating Force:
 - Initial: 8~25N
 - After durability: 35N
 - 2.3 Duribility:
 - 1000 cycles (rated: 500cycles/hours).
- 3.0 The dimension specified in () is only for referrence. please refer to the test result for the conductivity

TABLE A: PRODUCT NUMBER

MMUBR03T- 5 F K 30 T R
1 2 3 4 5 6

MMUBR03T:Micro USB B Type, SMT R/A, Through Hole Shield Pins.

- 1. Contact Position: 5 Pins
- 2. F: Socket
- 3. Insulator Color:
 - K: Black
- 4. Contact Plating:
 - 00: Gold Flash on Solder Tail, Gold Flash on Contact Area
 - Nickel 80u" Min. Underplated over All
 - 30: Nickel 80u" Min. Underplated over All, Gold 2u" Min. on Solder Tail, Gold 30u" Min. on Contact Area
- 5. Shell Plating:
 - T: Matte Tin 150u" min. over Nickel 50u" min
- 6. Package:
 - R: Tape & Reel

TOLERANCES UNLESS OTHERWISE SPECIFIED

GENERAL	X	±0.25
	.XX	±0.13
	.XXX	±0.05
ANGLES	X°	±3.0°
	.XX°	±2.0°
	.XXX°	±1.0°

PANSTRONG COMPANY LTD.				DRAWN BY		TOMMY	
				CHECKED			
TITLE:		MICRO USB B TYPE CONNECTOR RECEPTACLE R/A SMT TYPE				APPROVED	
PART NO:		MMUBR03T-5FK30				DRAWING NO. C-MUC42-00-00	
SCALE		10:1	REV	F	UNIT	mm	