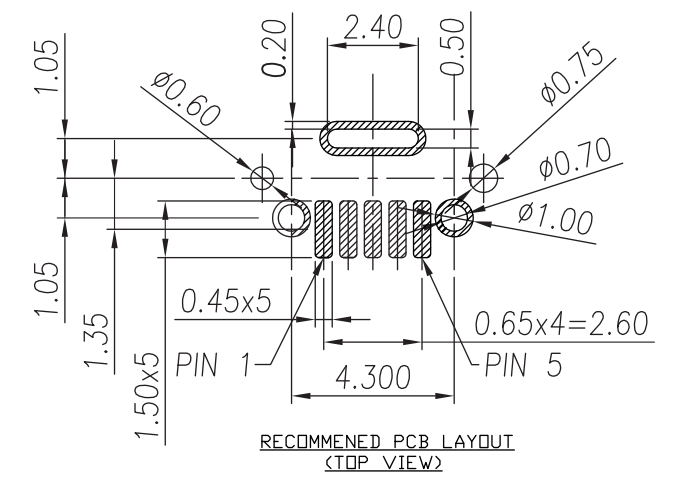


REV	DESCRIPTION	DATE
A	Initial Release	10'.12.28
B	Update the dimension of CAP	15'.09.01

- MATERIAL :
 - 1-1. HOUSING : LCP UL94V-0 ; COLOR : BLACK
 - 1-2. CONTACT : PHOSPHOR BRONZE
 - 1-3. SHELL : STAINLESS STEEL
 - 1-4. CAP : LCP UL94V-0 ; COLOR : BLACK
- FINISH :
 - 2-1. CONTACT : CONTACT AREA : GOLD 10 μ MIN
GOLD FLASH ON OTHER AREA
UNDERPLATED : NICKEL 50 μ MIN
 - 2-2. SHELL : MATTE TIN PLATED
- Environmental :
 - 3-1. Operation Temperature : -40°C~105°C



TOLERANCE	
.x	±0.20
.xx	±0.10
.xxx	±0.05
.xxxx	±0.03
ANGULA	±1°

PANSTRONG COMPANY LTD.				DRAWN BY		TOMMY	
				CHECKED			
TITLE:				Micro USB, B Type		APPROVED	
				Socket 5P			
PART NO:				DIP Shell, SMT, WITH POST		DRAWING NO.	
				MMUBS03-5FK10R			
SCALE		1:1		REV		B	
				UNIT		mm	