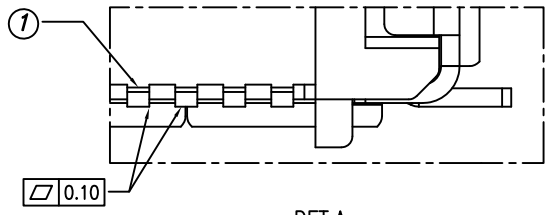
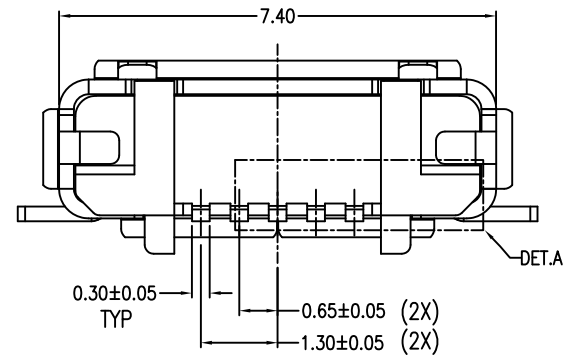
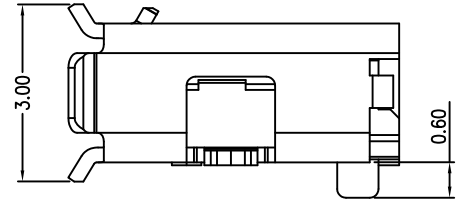
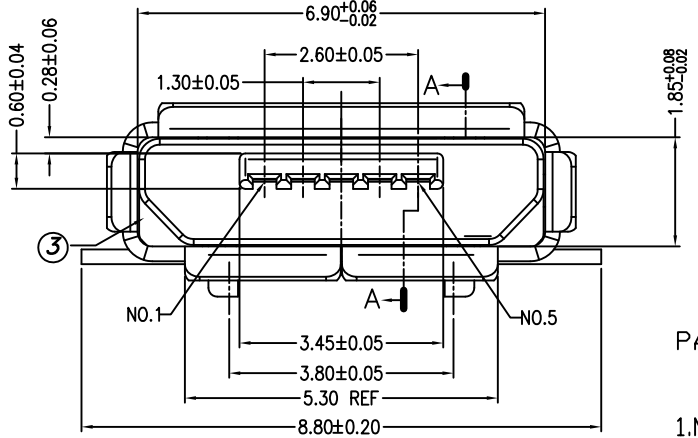
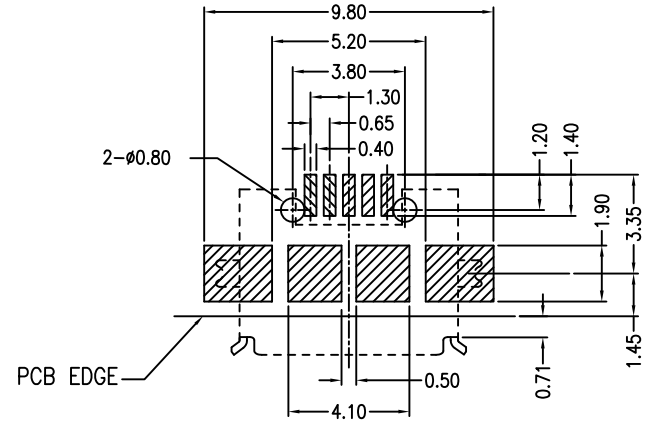
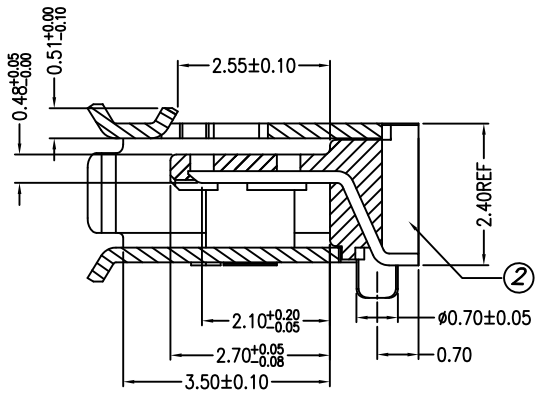
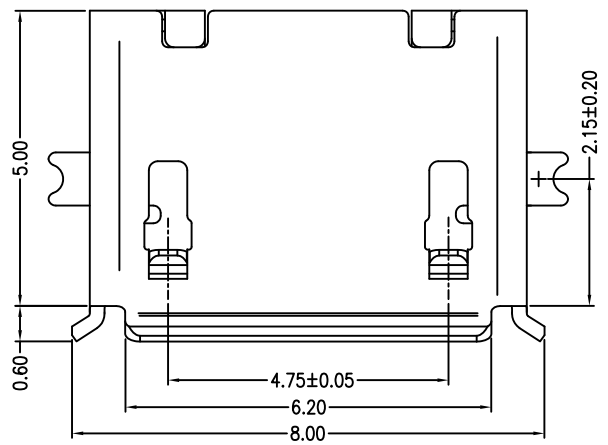


REV	DESCRIPTION	APPROVAL	DATE
A	Initial Release		07'.06.05



DET.A  
SCALE 10:1

PART NO. MMUCR03 - 5 F G 30 R  
1 2 3 4 5 6

- 1.MMUCR03:Micro USB AB Type, SMT, R/A
- 2.No. of Contact:5 Positions
- 3.F:Receptacle
- 4.Insulator Color:G:Gray
- 5.Contact Gold Plating  
30:30u" Gold
- 6.Package:R:Tape & Reel

ITEM	DESC.	MATERIAL	REMARKS
3	SHELL	STAINLESS STEEL, T=0.25	40u" NICKEL OVER PLATED
2	HOUSING	HIGH TEMPERATURE THERMOPLASTICS	COLOR:GRAY
1	CONTACT	COPPER ALLOY,T=0.20	CONTACT AREA: Au30u" SOLDER AREA: Au 3u"

貝強實業有限公司 PANSTRONG COMPANY LTD.				DRAWN BY		TOMMY	
				CHECKED			
TITLE:		MICRO USB C/F/SMT		APPROVED			
PART NO:		MMUCR03-5FG30R		DRAW NO			
File Number:							
SCALE	5:1	REV	A	UNIT	mm		

ROHS COMPLIANT

TOLERANCES  
DIM. ±0.30  
ANGLE: ±3°