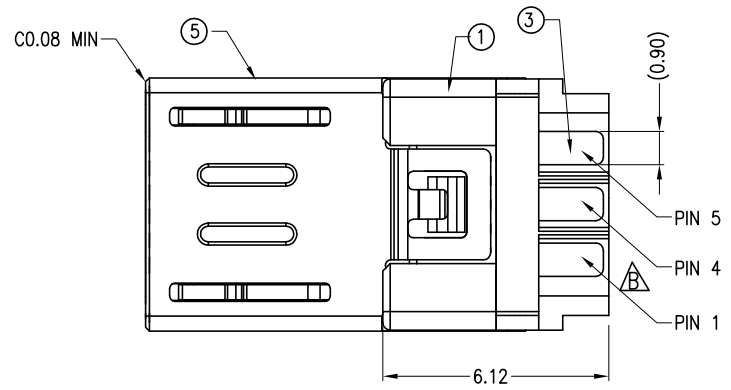


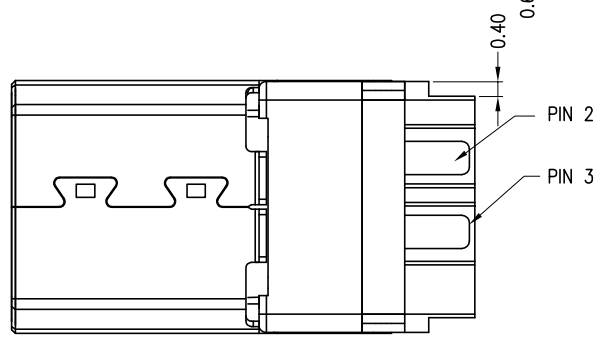
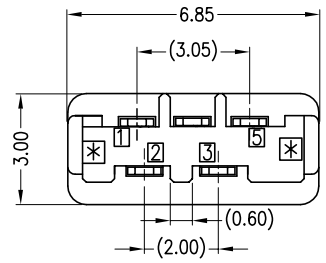
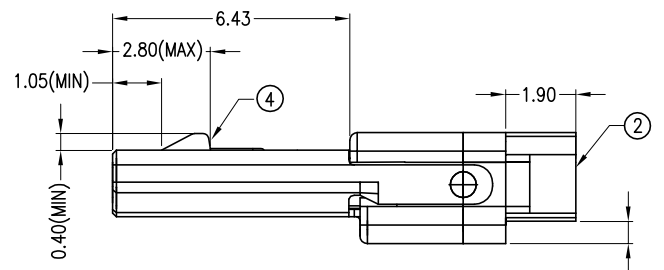
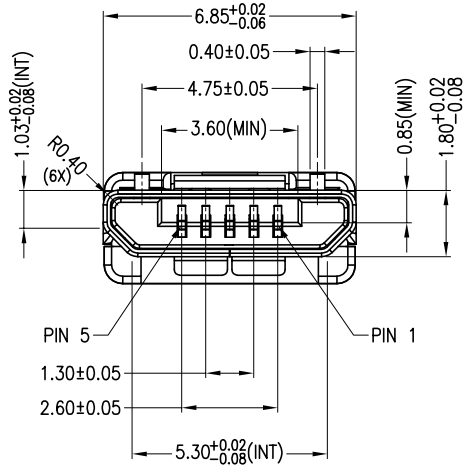
REV	DESCRIPTION	APPROVAL	DATE
A	Initial Release		10'.01.18

PIN NO.	SIGNAL NAME
PIN 1	VBUS
PIN 2	D-
PIN 3	D+
PIN 4	HIDING
PIN 5	GND
SHELL	SHIELD

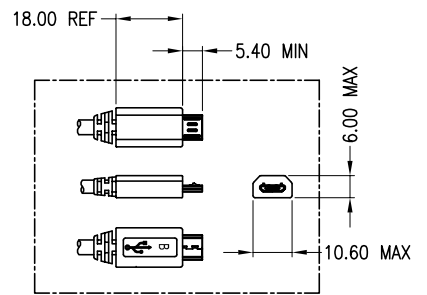


PART NO. MMUB13 - 5 M K 30
 1 2 3 4 5

- 1.MMUB13: Micro USB B Type, Wire Solder for Molding
- 2.No. of Contact: 5: 5 Positions
- 3.M: Plug
- 4.Insulator Color: K: Black
- 5.Contact Gold Plating: 30u" Gold



5	FRONT SHELL	STAINLESS STEEL, T=0.20	Ni 20u" PLATED	
4	LATCH	STAINLESS STEEL, T=0.40		
3	CONTACT	COPPER ALLOY, T=0.20	CONTACT AREA: SEE NOTE SOLDER AREA: Sn 50u".	
2	COVER	HIGH TEMPERATURE THERMOPLASTICS	COLOR:BLACK	
1	HOUSING	HIGH TEMPERATURE THERMOPLASTICS	COLOR:BLACK	
ITEM	DESC.	MATERIAL	REMARKS	PART REMARKS



Reference Mold Boot

TOLERANCES
 DIM. ±0.20
 ANGLE: ±2°

PANSTRONG COMPANY LTD.		DRAWN BY		TOMMY	
		CHECKED			
TITLE:		MICRO USB-B PLUG SOLDER CONNECTOR		APPROVED	
PART NO:		MMUB13-5MKxx		DRAW NO	
File Number:					
SCALE	5:1	REV	A	UNIT	mm

