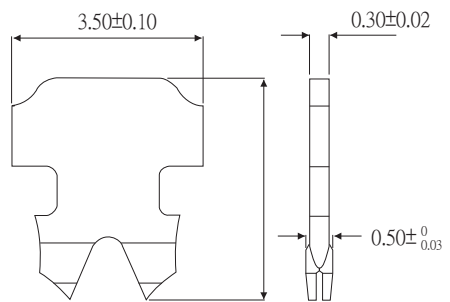
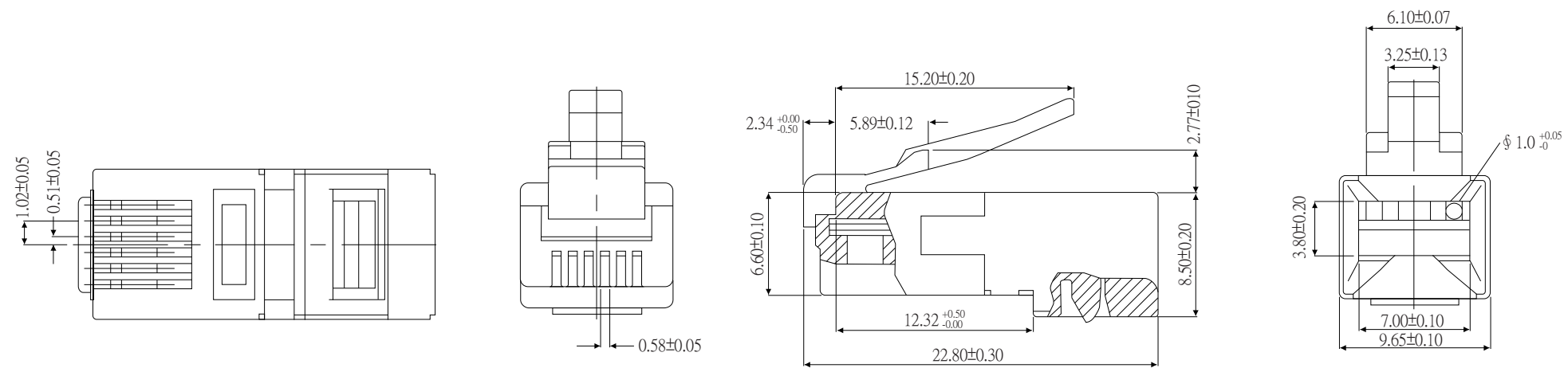
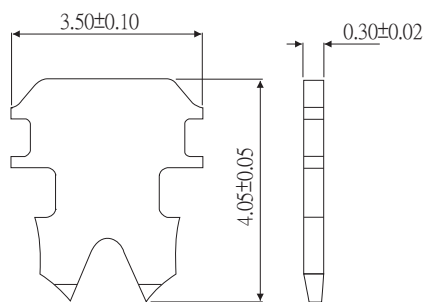


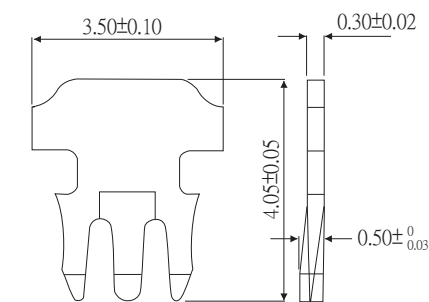
REV	DESCRIPTION	APPROVAL	DATE
A	新制定		06.06.21



"1": 2 PRONGS FOR STRANDED WIRE



"2": 2 PRONGS FOR SOLID WIRE(SS)



"3": 3 PRONGS FOR SOLID WIRE(S)

PART NO .

M P H S 6 6 R 0 2 U 2 0 3 0 1

- HALF SHD
- No. of Position
- No. of Contact
- R : Round Cable
- F : Flat Cable
- 01: No. Logo
- Gold Plating : 3u", 6u", 15u", 30u", 50u"
- U2: UL94V2, U0: UL94V-0
- Black 2 Prongs for Stranded Wires
- 02: 2 Prongs for Solid Wires
- 03: 3 Prongs for Solid Wires

 貝強實業有限公司 PANSTRONG COMPANY LTD.			DRAWN BY		TOMMY
			CHECKED		
TITLE:		#T6R* ** MP6P6C R.SH D			APPROVED
PART NO:		MPHS66R			DRAW NO
DRAW. BOX NO:					
SCALE		REV	A	UNIT	mm
					