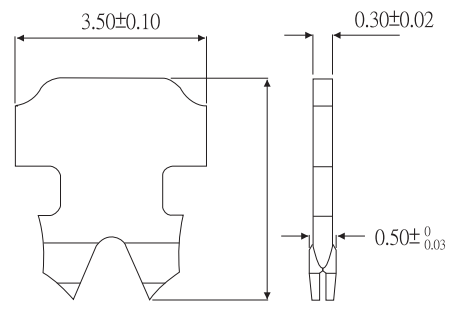
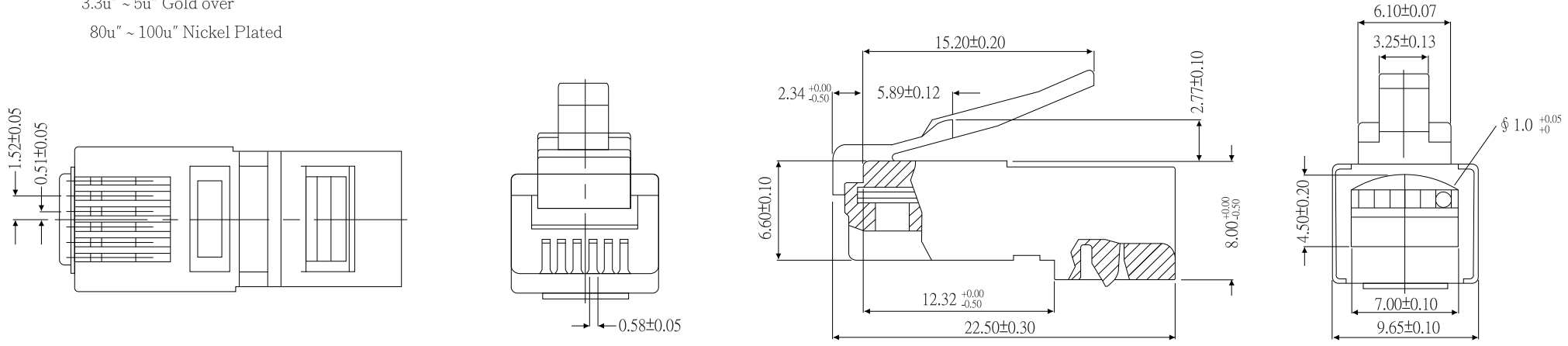


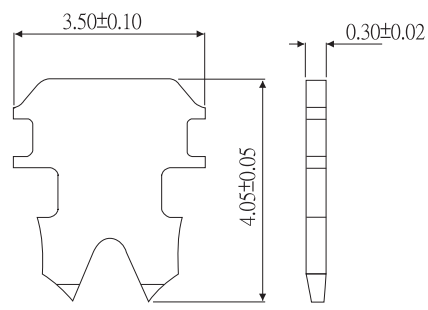
REV	DESCRIPTION	DATE
A	Initial Release	06.06.26

MATERIAL:

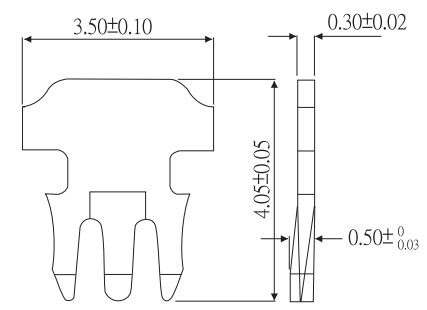
- 1.Housing : Polycarbonate,UL 94V-2 or UL 94V-0
- 2.Terminal : 0.014 Inch Phosphor
- 3.3u" ~ 5u" Gold over
- 80u" ~ 100u" Nickel Plated



"": 2 PRONGS FOR STRANDED WIRE



"2": 2 PRONGS FOR SOLID WIRE(SS)



"3": 3 PRONGS FOR SOLID WIRE(S)

PART NO.

- MPL 6 6 R 02 U2 03 01
- No. of Position
 - No. of Contact
 - R: Round Cable
 - F: Flat Cable
 - 01: No. Logo
 - Gold Plating: 3u", 6u", 15u", 30u", 50u"
 - U2: UL94V2, U0: UL94V-0
 - Black: 2 Prongs for Stranded Wires
 - 02: 2 Prongs for Solid Wires
 - 03: 3 Prongs for Solid Wires

PANSTRONG COMPANY LTD.			DRAWN BY		TOMMY
			CHECKED		
TITLE:			APPROVED		
PART NO :			DRAW NO		
DRAW .BOX NO :			UNIT		mm
SCALE	REV	A			