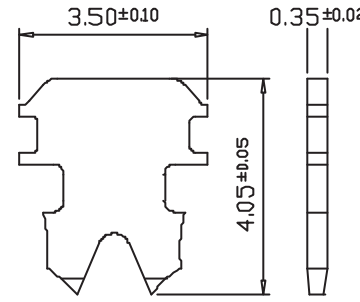
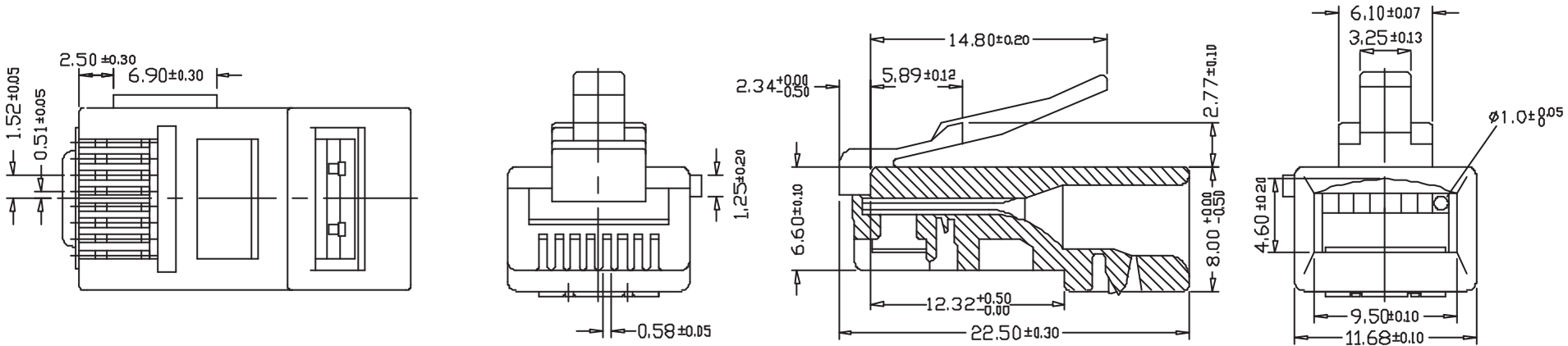
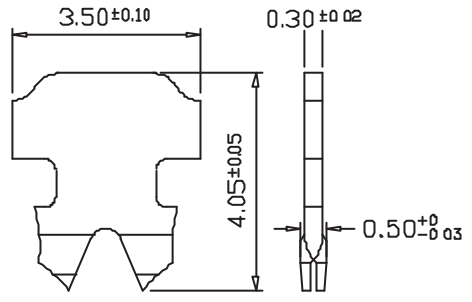


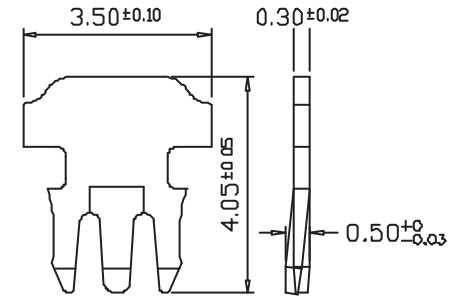
REV	DESCRIPTION	DATE
A	Initial Release	07.06.20



"1": 2 PRONGS FOR STRANDED WIRE



"2": 2 PRONGS FOR SOLID WIRE(SS)



"3": 3 PRONGS FOR SOLID WIRE(S)

PART NO.

MP K- 8 8 R 02 U2 03 01

- Key
- No. of Position
- No. of Contact
- R: Round Cable
- F: Flat Cable
- 01: No. Logo
- Gold Plating: 3u", 6u", 15u", 30u", 50u"
- U2: UL94V2, U0: UL94V-0
- Black: 2 Prongs for Stranded Wires
- 02: 2 Prongs for Solid Wires
- 03: 3 Prongs for Solid Wires

<b>PANSTRONG COMPANY LTD.</b>				DRAWN BY		TOMMY					
				CHECKED							
TITLE:		MP 8P8C, Right Key				APPROVED					
PART NO:		MPK-88Rxxxxxx				DRAW NO					
DRAW. BOX NO:											
SCALE		REV		A		UNIT		mm			