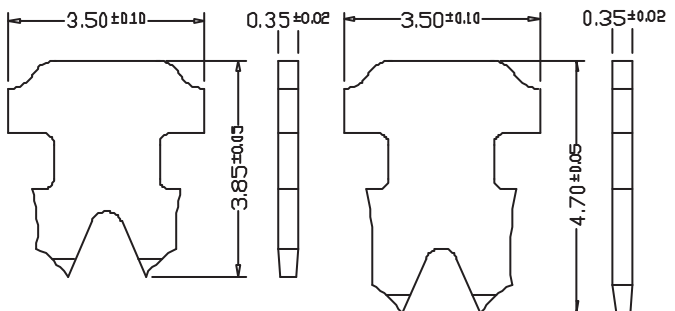
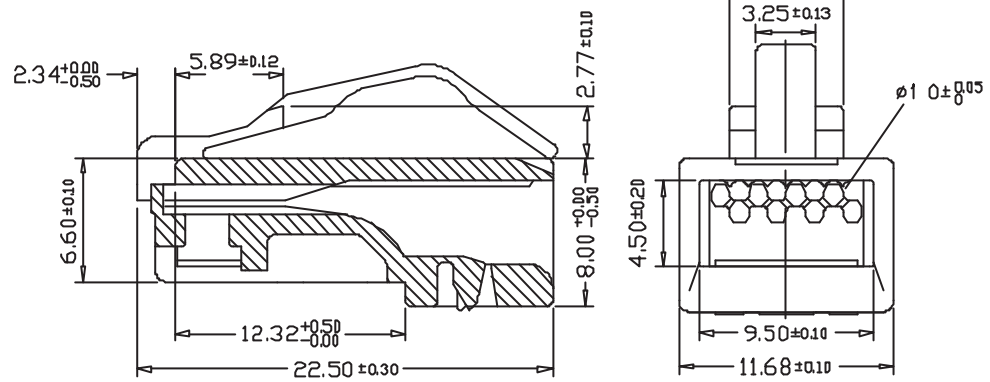
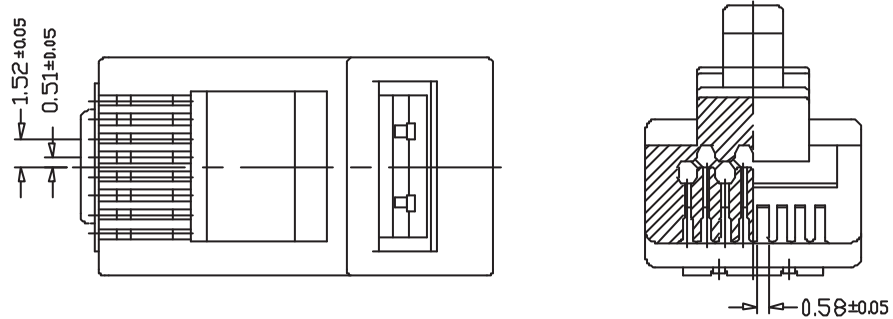
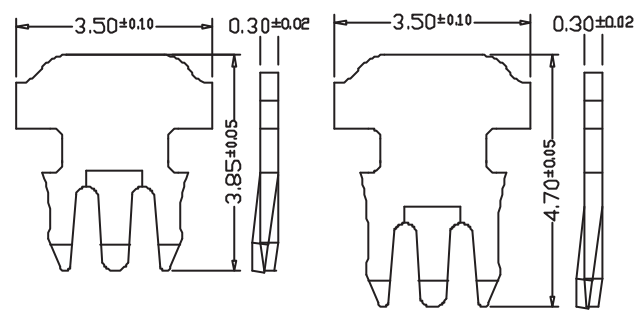


REV	DESCRIPTION	DATE
A	Initial Release	07.09.21



" " : 2 PRONGS FOR STRANDED WIRE



"3" : 3 PRONGS FOR SOLID WIRE(S)

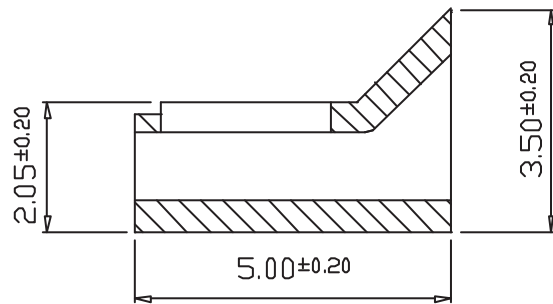
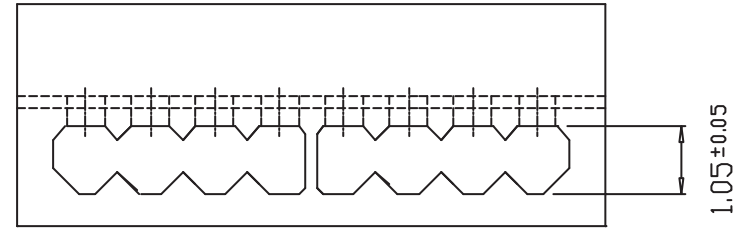
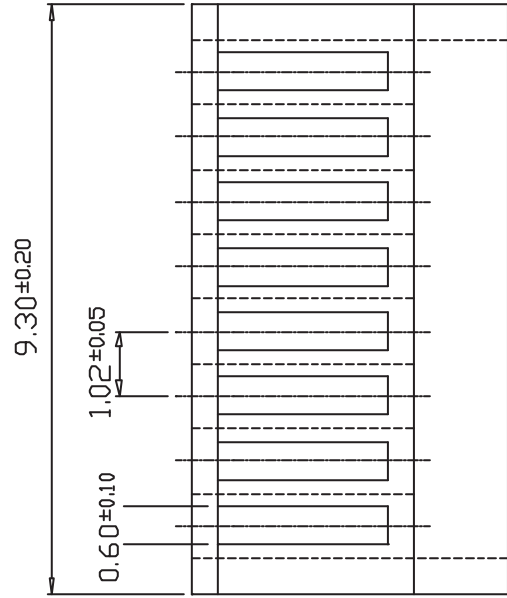
PART NUMBER CODE:


MPC5E R 02 U2 ** -2
1 2 3 4

- 1. R:ROUND CABLE F:FLAT CABLE
- 2. SKIP:2 PRONGS FOR STRANDED WIRES
02:2 PRONGS FOR SOLID WIRES
- 3. U2:UL94V2, U0:UL-94V0 REATED
- 4. CONTACT GOLD PLATING:
03: 3u" 06:6u" , 15:15u" , 30:30u" 50:50u"

PANSTRONG COMPANY LTD.		DRAWN BY	TOMMY
		CHECKED	
TITLE:			APPROVED
PART NO:	MPC5E-2		DRAW NO
File Number:			
SCALE		REV	A
		UNIT	mm

REV	DESCRIPTION	DATE
A	Initial Release	07.09.21



 PANSTRONG COMPANY LTD.	DRAWN BY	TOMMY
	CHECKED	
TITLE:		
PART NO:	MPC5E-2	
File Number:		
SCALE	REV	A
UNIT	mm	