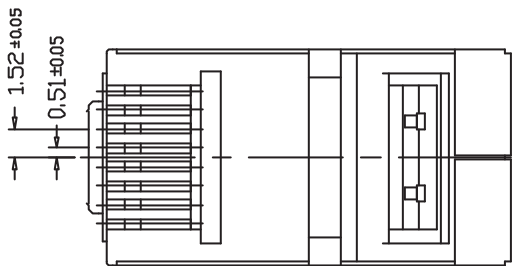
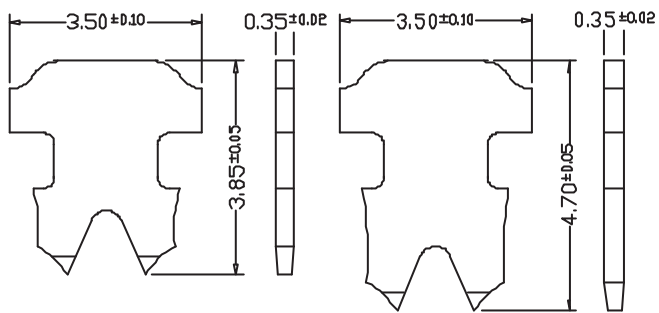
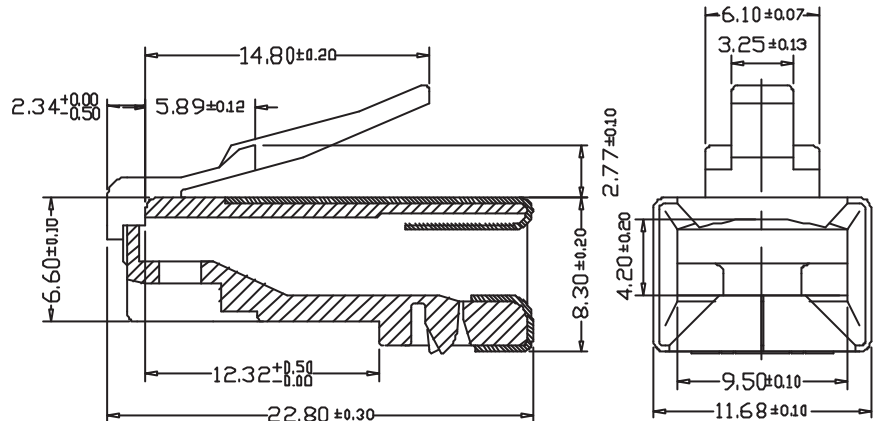
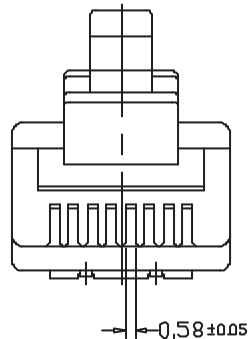


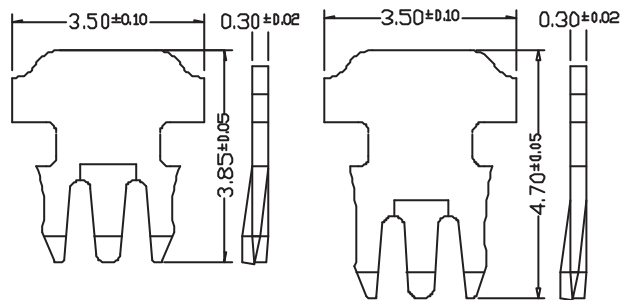
REV	DESCRIPTION	DATE
A	Initial Release	07.09.21



#TC6T6 GMP8P8C R.SHD



" " : 2 PRONGS FOR STRANDED WIRE



"3" : 3 PRONGS FOR SOLID WIRE(S)

PART NUMBER CODE:

MPSC6 $\frac{R}{1}$ $\frac{02}{2}$ $\frac{U2}{3}$ $\frac{**}{4}$

- 1. R:ROUND CABLE F:FLAT CABLE
- 2. SKIP:2 PRONGS FOR STRANDED WIRES
02:2 PRONGS FOR SOLID WIRES
03:3 PRONGS FOR SOLID WIRES
- 3. U2:UL94V2, U0:UL-94V0 REATED
- 4. CONTACT GOLD PLATING:
03: 3u" 06:6u" , 15:15u" , 30:30u" 50:50u"

	PANSTRONG COMPANY LTD.			DRAWN BY	TOMMY	
				CHECKED		
TITLE:					APPROVED	
PART NO:		MPSC6			DRAW NO	
File Number:					UNIT	mm
SCALE		REV	A			