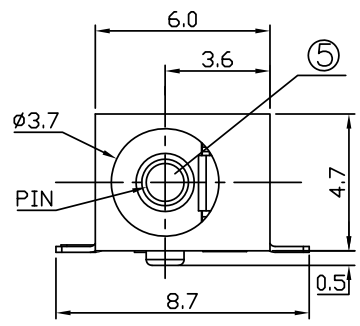
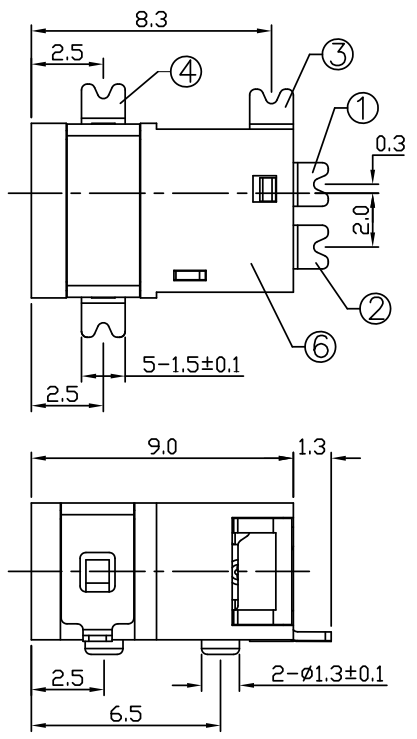
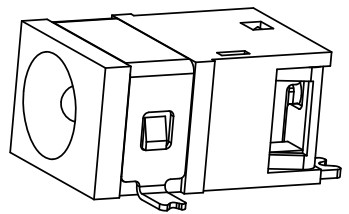
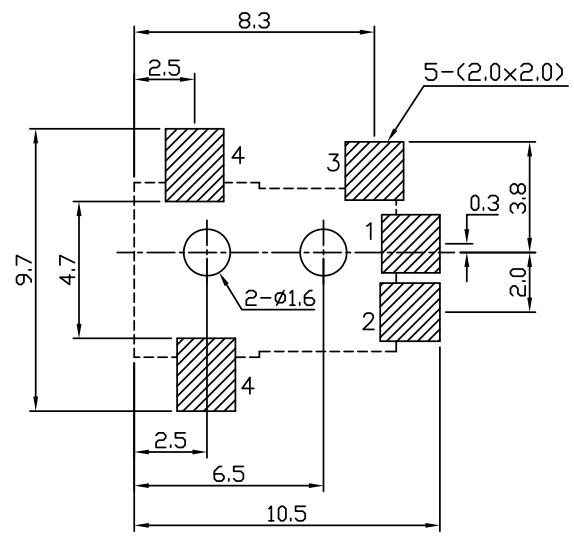


REV	DESCRIPTION	DATE
A	Initial Release	09'.04.20



PART NO.	PIN	SCHEMATIC
DJ-020-SM-06MB	φ1.3	



T:1.6 Dimensions of PC board holes
Tolerance : ±0.1(Printed-top view)

LEAD FREE

LTR	PART NAME	QTY	MATERIAL	REMARK
6	HOUSING	1	PA9T	UL-94V0(BLACK)
5	PIN	1	H59(COPPER ALLOY)	MB:Cu Sn PLATED
4	TERMINAL	1	C2680 t=0.25	MB:Ni Ag PLATED
3	CURVE PIECE	1	C2680 t=0.25	MB:Ni Ag PLATED
2	SPRING FOOT	1	C5191 t=0.30	MB:Ni Ag PLATED
1	CONTACT FOOT	1	C2680 t=0.25	MB:Ni Ag PLATED

PANSTRONG COMPANY LTD.				DRAWN BY		TOMMY	
				CHECKED			
TITLE:		DC POWER JACK		APPROVED			
PART NO:		DJ-020-SM-06MB		DRAWING NO.			
SCALE		/		REV	A		UNIT mm

UNLESS OTHERWISE SPECIFIED,
TOLERANCE ON DECIMAL:
±0.2

