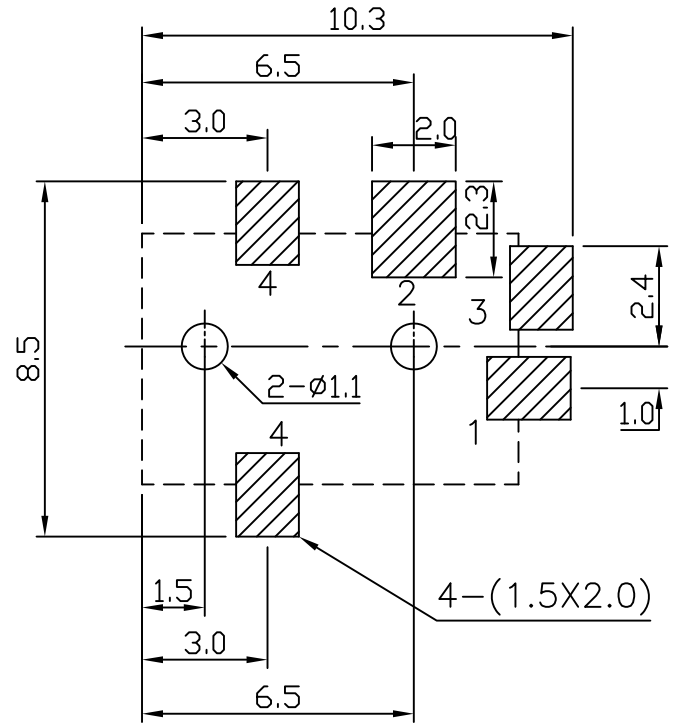
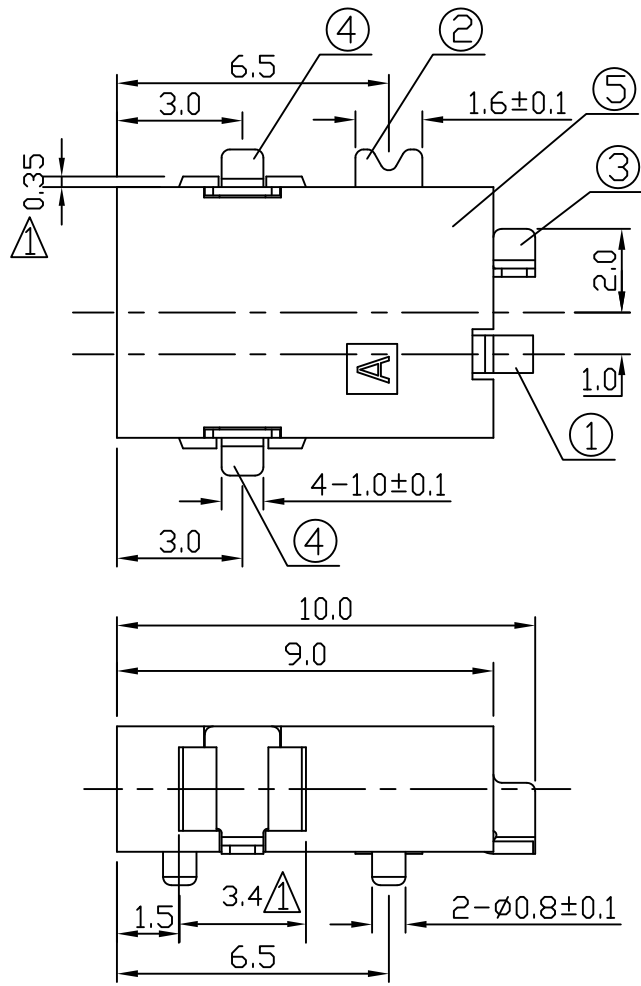
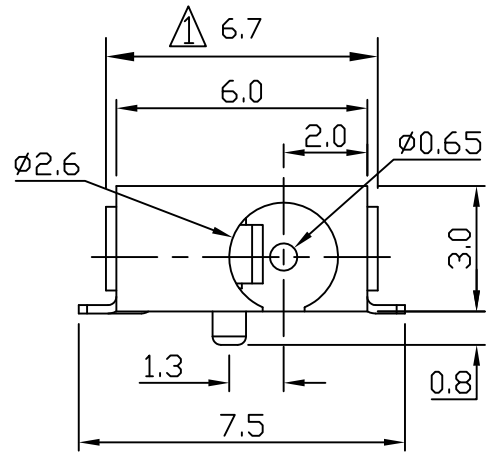
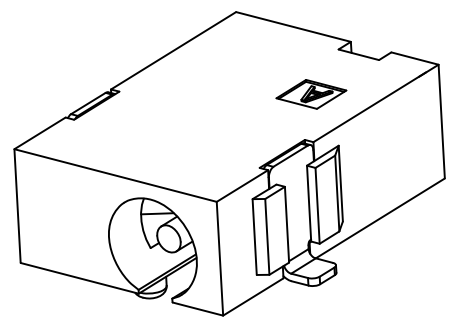


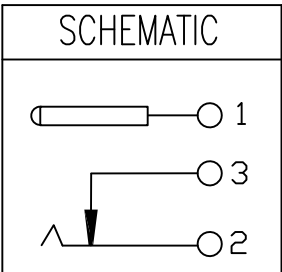
| REV | DESCRIPTION | DATE |
|-----|---------------------|----------|
| A | Δx3 Initial Release | 10.02.03 |



T:1.6 Dimensions of PC board holes
Tolerance : ±0.1(Printed-top view)

LEAD FREE

| | | | | |
|-----|-------------|-----|-------------------|-----------------|
| 5 | HOUSING | 1 | PA9T | UL-94V0(BLACK) |
| 4 | TERMAINL | 2 | C2680 t=0.20 | MB:Ni Ag PLATED |
| 3 | TERMINAL 3# | 1 | C2680 t=0.20 | MB:Ni Ag PLATED |
| 2 | TERMINAL 2# | 1 | C5191 t=0.20 | MB:Ni Ag PLATED |
| 1 | TERMINAL 1# | 1 | H59(COPPER ALLOY) | MB:Ni Ag PLATED |
| LTR | PART NAME | QTY | MATERIAL | REMARK |



UNLESS OTHERWISE SPECIFIED,
TOLERANCE ON DECIMAL:
±0.2

| | | | |
|------------------------|-----|-------------|-----------|
| PANSTRONG COMPANY LTD. | | DRAWN BY | TOMMY |
| | | CHECKED | |
| TITLE: DC POWER JACK | | APPROVED | |
| PART NO: DJ-020-SM-09 | | DRAWING NO. | XL-020-09 |
| SCALE | REV | A | UNIT mm |