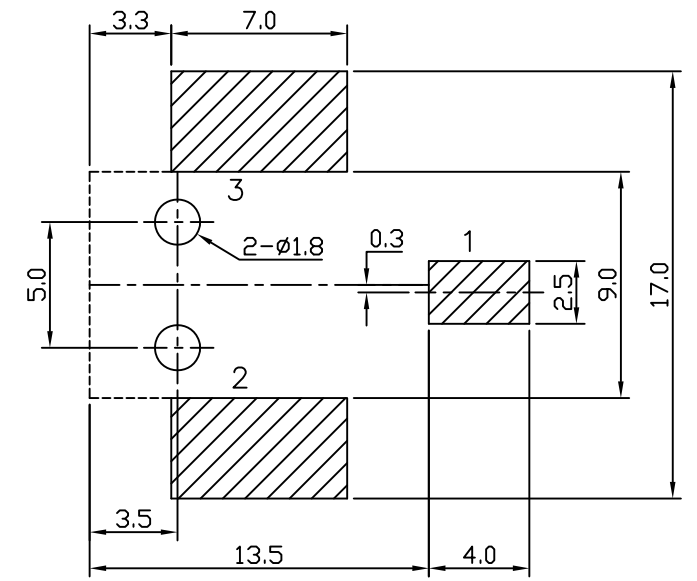
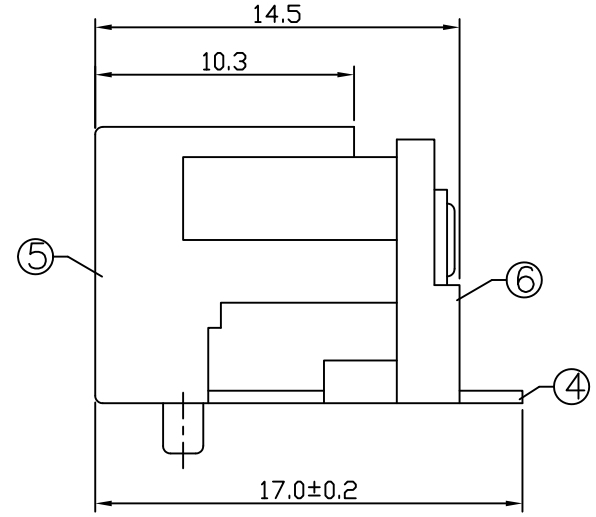
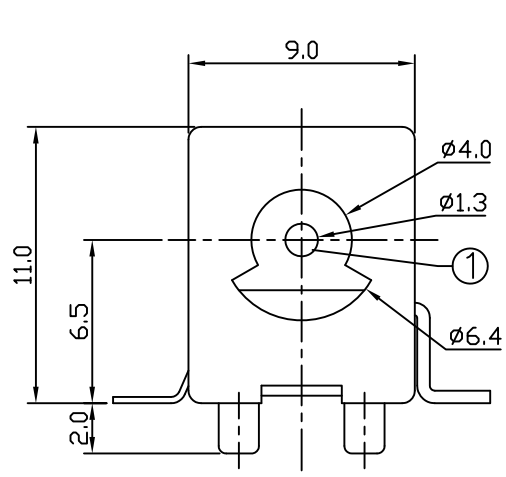
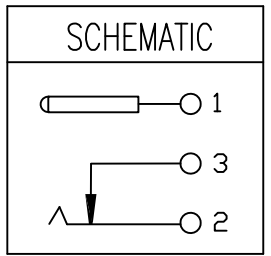
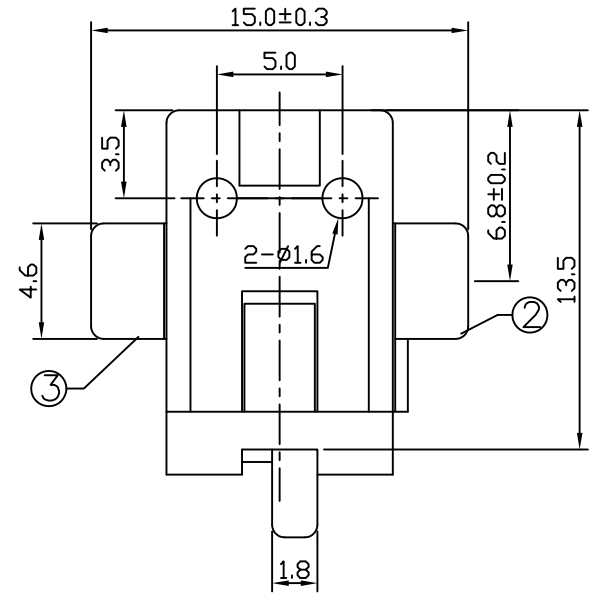


REV	DESCRIPTION	DATE
A	Initial Release	08'.04.18



T:1.6 Dimensions of PC board holes
Tolerance : ±0.1(Printed-top view)



LEAD FREE

LTR	PART NAME	QTY	MATERIAL	REMARK
6	COVER	1	PA9T	UL-94V0(BLACK)
5	HOUSING	1	PA9T	UL-94V0(BLACK)
4	FLAT PIECE	1	C2680 t=0.5	MB:Cu Ag PLATED
3	SPRING PIECE	1	C5191 t=0.25	MB:Cu Ag PLATED
2	CURVE PIECE	1	C2680 t=0.5	MB:Cu Ag PLATED
1	PIN	1	C2680	MB: Ni PLATED

				DRAWN BY		TOMMY				
				CHECKED						
TITLE:		DC POWER JACK				APPROVED				
PART NO:		DJ-020-SM-16				DRAWING NO.				
SCALE		/		REV	A		UNIT	mm		

UNLESS OTHERWISE SPECIFIED, TOLERANCE ON DECIMAL: ±0.2