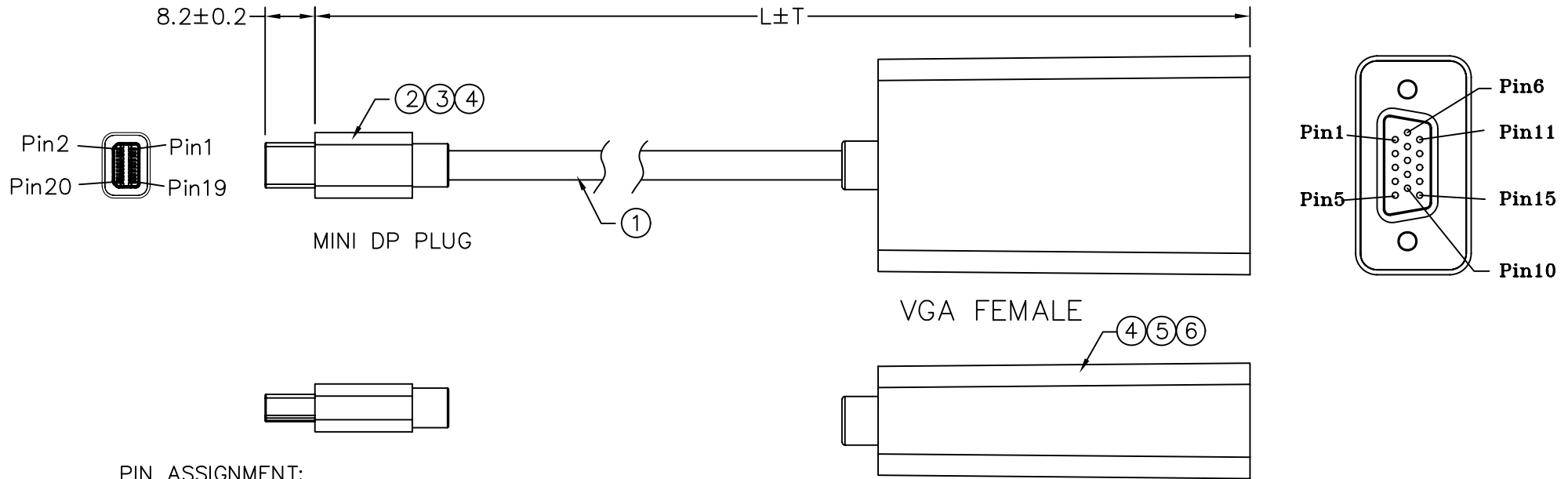


RoHS Compliant

REV	DESCRIPTION	APPROVAL	DATE
A	Initial Release		09'12.29

Electrical character:

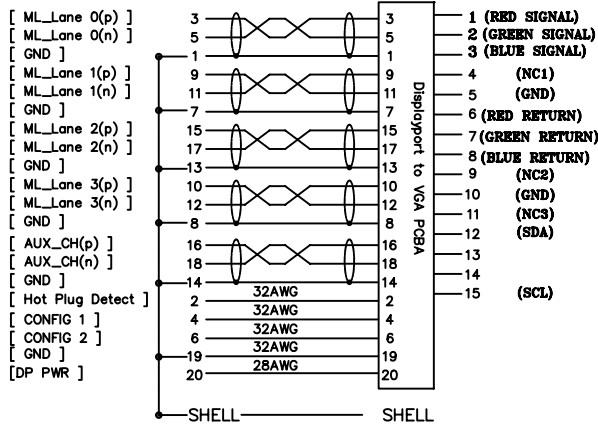
a. Function Test: by PC and monitor 1080P 60Hz test pass.



PIN ASSIGNMENT:

MINI DP PLUG

VGA FEMALE



TOLERANCE	UNSPECIFIED
±	±
± 0.1	± 0.1
± 0.38	± 0.38
±	±
±	±
ANGLE	±

6	OUTER COVER	VGA FEMALE CONNECTOR ABS OUTER COVER	
5	CONNECTOR 2	VGA FEMALE CONNECTOR	
4	SR	PVC	
3	OUTER COVER	MINI DP CONNECTOR ABS OUTER COVER	
2	CONNECTOR 1	MINI DP CONNECTOR PLUG	
1	CABLE	UL20276 DISPLAYPORT CABLE IMPEDANCE:100 Ohm	
NO.	PART NAME	SPEC DESCRIPTION	REMAKE

	PANSTRONG COMPANY LTD.		DRAWN BY	TOMMY
			CHECKED	
TITLE: Mini DP Plug to VGA female short cable		APPROVED		
PART NO: MDPM/VGAF-200M		DRAW NO		
File Number:				
SCALE	/	REV	A	UNIT mm

