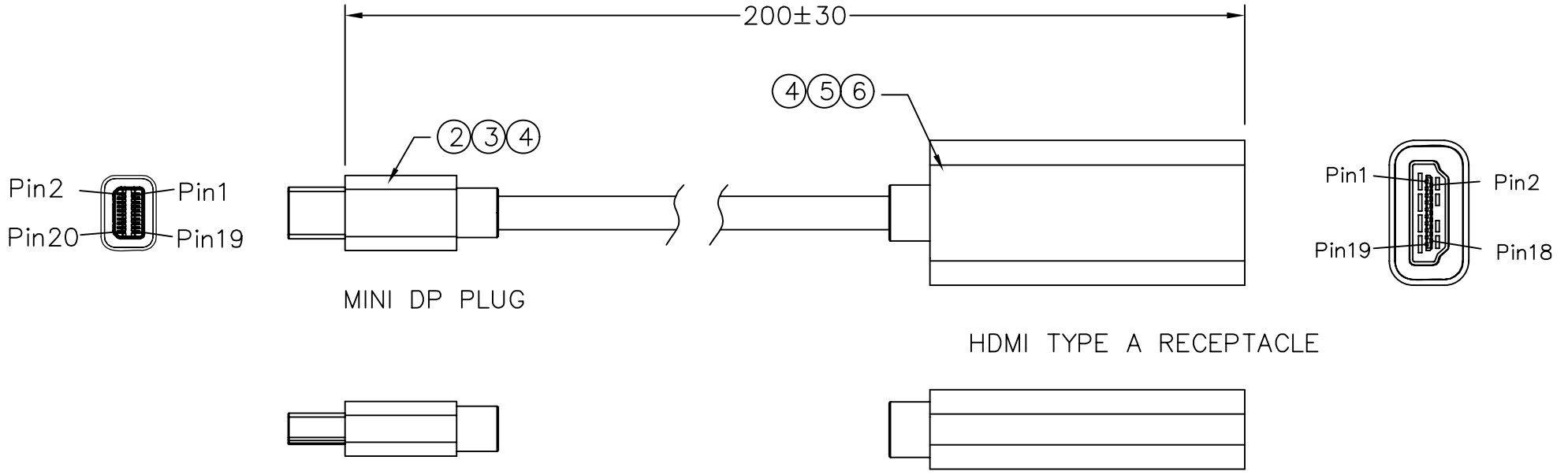


RoHS Compliant

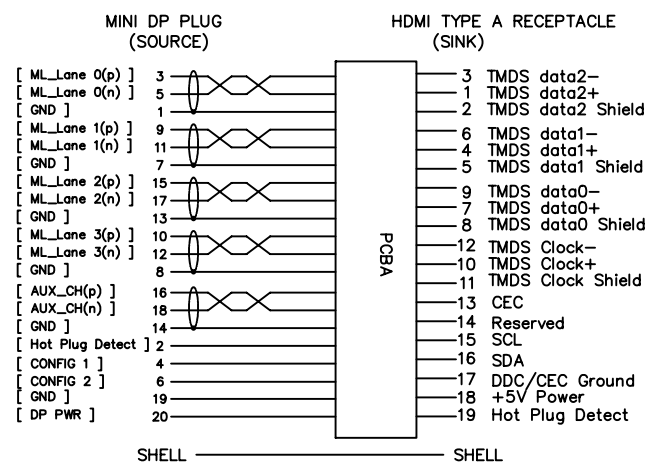
REV	DESCRIPTION	APPROVAL	DATE
A	Initial Release		09'.12.29

Preliminary

Electrical character:
a. Function Test: by PC and monitor 1080P 60Hz test pass.



PIN ASSIGNMENT:



TOLERANCE	UNSPECIFIED
. . .	±
. . .	± 0.1
. . .	± 0.38
. . .	±
ANGLE	±

6	OUTER COVER	HDMI TYPE A RECEPTACLE CONNECTOR ABS OUTER COVER	
5	CONNECTOR 2	HDMI TYPE A RECEPTACLE CONNECTOR W/PCBA	
4	SR	PVC	
3	OUTER COVER	MINI DP CONNECTOR ABS OUTER COVER	
2	CONNECTOR 1	MINI DP CONNECTOR PLUG	
1	CABLE	UL20276 DISPLAYPORT CABLE IMPEDANCE:100 Ohm	
NO.	PART NAME	SPEC DESCRIPTION	REMAKE

		DRAWN BY		TOMMY
		CHECKED		
TITLE: Mini DP to HDMI type A Recetacle cable		APPROVED		
PART NO: MDPM/HIF-200M		DRAW NO		
File Number:				
SCALE	/	REV	A	UNIT mm

