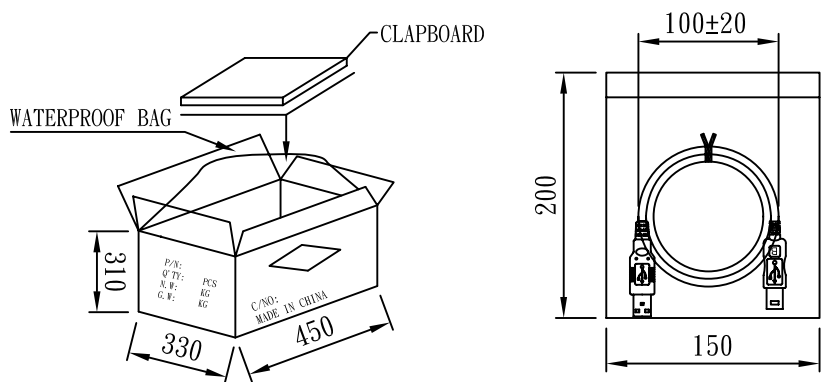
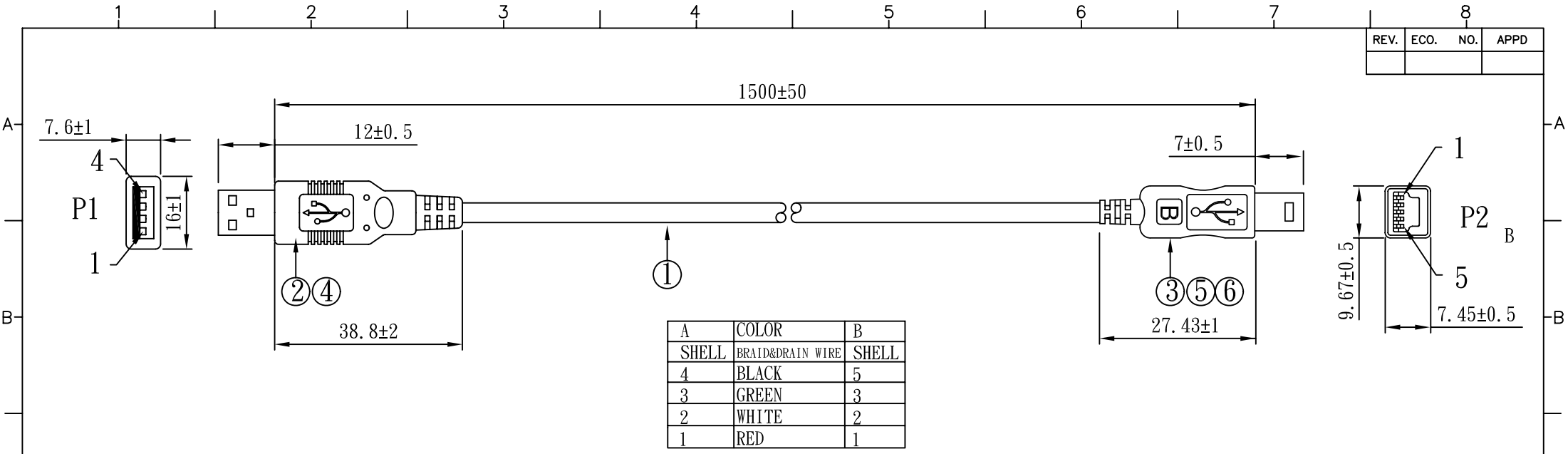


REV.	ECO.	NO.	APPD



### BOM

No.	ITEM	Q' TY
1	WIRE:UL2835 #28*1P(GREEN WHITE)+#28*2C(RED BLACK)+ AEB JACKET:BLACK O.D=3.8±0.1(慶龍)	1pcs
2	CONN:USB A/M GOLDDED PLATED 30U" INSULATOR:PBTP UL94V-0 WHITE SHIELD CASE:NICKEL PLATED	1pcs
3	CONN:MINI USB B/M GOLDDED PLATED 30U" INSULATOR:PBT UL94V-0 BLACK SHIELD CASE:NICKEL PLATED	1pcs
4	OUTER MOLD:PVC SHORE A:85±3 BLACK GH-016	8G
5	OUTER MOLD:PVC SHORE A:85±3 BLACK GH-181	5G
6	SHRINK TUBE: 1∅*5mm BLACK F32	4pcs
7	MINI TIE:L=60 BLACK	1pcs

PICKING:  
1. 1PCS PRODUCT PACKED A PEBAG

- NOTE:
1. ALL DIMENSIONS ARE "mm"
  2. ANY OPEN, MISWIRING & SHORT&INTERMITTENT ARE NOT PERMITTED.
  3. INUSLATION RESISTANCE:50M ohm/300V DC MIN 0.01S
  4. COND RESISTANCE:2 ohm
  5. THE PRODUCT MUST BE COMPLY WITH THE DIRECTIVE OF RoHS.



X.:±	.XX:±0.25	X°:±	.XX°:±	PART NO.(INTENDED USE) CMB20103DSK-1500	TITLE:
.X.:±0.5	.XXX:±0.5	.X°:±	.XXX°:±	APPD: Johnny	DWG NO.: BEIQIANG039
				CHKD: WUZHUJIAN	SCALE SHEET Rev. NONE 1/1 A
				DR: Jerry	

